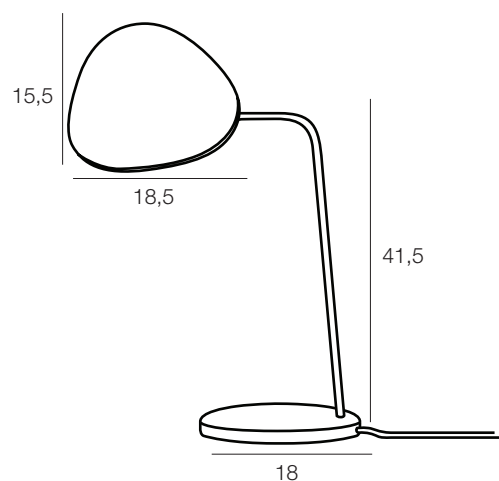


PRODUCT FACT SHEET

LEAF TABLE LAMP FURNITURE / LIGHTING / ACCESSORIES

Broberg & Ridderstråle on the design “ Leaf successfully combines a light and elegant design with an energy-efficient LED technology. Though the design is minimalistic and straightforward, a soft asymmetric geometry gives the lamp an organic and friendly appearance.- Depending on the viewing angle and how the shade is turned, the lamp will subtly transform it's shape to create a graphic and leaf-like silhouette in the room.”

| | |
|------------------------------|---|
| PROCESS | Leaf is a result of a process combining turned and casted aluminium parts with a strong powder coating as paint. |
| DESIGNED BY / YEAR OF DESIGN | Broberg & Ridderstråle / 2012 |
| TYPE | OLED-Table lamp |
| LAMP DESCRIPTION | Leaf is a lamp series with an iconic silhouette in two sizes and a wide range of colours. Leaf uses energy-efficient LED technology and is equally suited for your private home as an office or commercial interior. The lamp's dim function makes it possible to control the light and mood in a room. |
| ENVIRONMENT | Indoor |
| DIMENSIONS | Height 41,5 cm Base Ø 18 cm Lamp shade 15,5x18,5cm |
| CORD LENGTH | 180 cm |
| MATERIAL | Aluminium, Brass, Coloured PVC cord |
| COLOUR / REF. CODE | White, black, grey, green, rose |
| VOLTAGE (V) | 230V transformer, 12V OLED light source 5W, Bulb lifetime appr. 30.000 hours |
| BULB INCLUDED | Yes |
| CLEANING INSTRUCTIONS | Wipe off dust with dry cloth. If necessary use moist cloth, then dry off. Do not use abrasive cleaning agents. |
| ABOUT THE DESIGNER | Broberg & Ridderstråle are Swedish design and architectural partners. Their work combines an aesthetic rationality with a touch of humour and wit. Mats Broberg and Johan Ridderstråle have both graduated from Konstfack University of design with honours and have been awarded the Swedish Art Council's working grant. Their work has successfully been exhibited in Tokyo, Milan and London. |



CERTIFICATIONS

