

Demetra Micro Table - Polished black 2700K



IP20 Dimmerable:

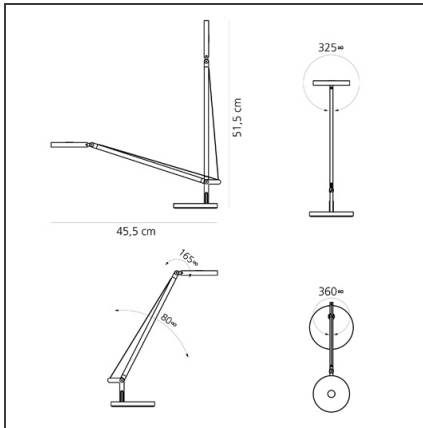
DESIGN BY

Naoto Fukasawa

DESCRIPTION

Demetra micro, in the table and wall version with arm, offers the same freedom of the traditional version, i.e. utmost flexibility in directing light across space. While its power and flow are just slightly reduced compared to the classical version, it has all the same pluses in terms of operation and lighting performance. warm light tone very high Cri 90 light quality maximum performance Dimmable with microswitch located on the appliance's head, it emits warm light with a very high colour yield (Cri 90) Its dimension is therefore minimized to fit into the smallest spaces and to expand the range of potential applications of the entire Demetra family, ideal for work and hospitality locations, as well as for home use.

TECHNICAL DRAWINGS



FEATURES

Article Code:	1747W40A	Material:	aluminium, technopolymer, zamak
Colour:	Gloss black	Series:	Design
Installation:	Table	Emission:	Direct
Environment:	Indoor		

DIMENSIONS

Length:	cm 13	Max Extension Length:	cm 48
Width:	cm 12	Glow Wire Test:	750
Height:	cm 14		
Base Diameter:	cm 12		
Max Extension Height:	cm 51		

INCLUDED SOURCES

Category:	LED	Color temperature (K):	2700K
Number:	1	Color Tolerance:	MacAdam 2SDCM
Watt:	6W	CRI:	90
Delivered lumens output (lm):	730lm		
Type:	0		
Class:	A		

LUMINAIRE

Watt:	6W	Delivered lumens output (lm):	241lm
Voltage:	100-240V	CCT:	2700K
		Efficiency:	49%
		Efficacy:	40.17lm/W
		CRI:	90
		Dimmer Typology:	Microswitch Dimmer