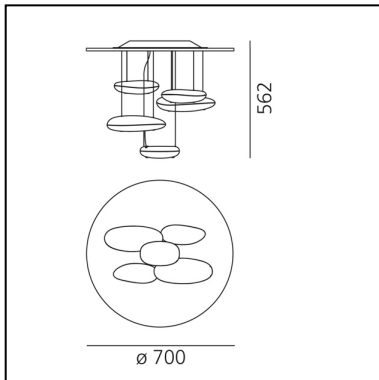


# Mercury Mini Ceiling LED 2700K

Ross Lovegrove



IP20     Dimmerable: +  -



## LUMINAIRE

- Watt: **29W**
- Voltage: **220V-240V**
- Delivered lumens output: **1447lm**
- CCT: **2700K**
- Efficiency: **54%**
- Efficacy: **49.90lm/W**
- CRI: **90**
- Dimmable Typology: **Push**

## DESCRIPTION

Range extension of Mercury series, in smaller dimension. "A ceiling fixture that places a floating assembly of large pebbles below a simple modern disc. These in turn reflect each other bouncing light between their taught bio - morphic surfaces and reflecting the environment around them. During the day the piece acts as a sculptural object reflecting the dynamics of natural light and the movement of people around them." Materials: structure in brushed stainless steel and painted aluminum. Light fixtures in chromed aluminium. Hanging in chromed plastic.

**PRODUCT CODE: 1476W10A**

## FEATURES

- Article Code: **1476W10A**
- Colour: **Polished chrome**
- Installation: **Ceiling**
- Material: **Aluminium, ABS, steel**
- Series: **Design Collection, Hydro**
- Environment: **Indoor**
- Area contract: **Hospitality, Office, Residential**
- Emission: **Indirect**
- design by: **Ross Lovegrove**

## DIMENSIONS

- Height: **cm 56.2**
- Diameter: **cm 70**
- Glow Wire Test: **650°**

## SOURCES INCLUDED

- Category: **Led**
- Number: **1**
- Watt: **29W**
- Color temperature (K): **2700K**
- CRI: **90**
- Color Tolerance: **MacAdam 2SDCM**