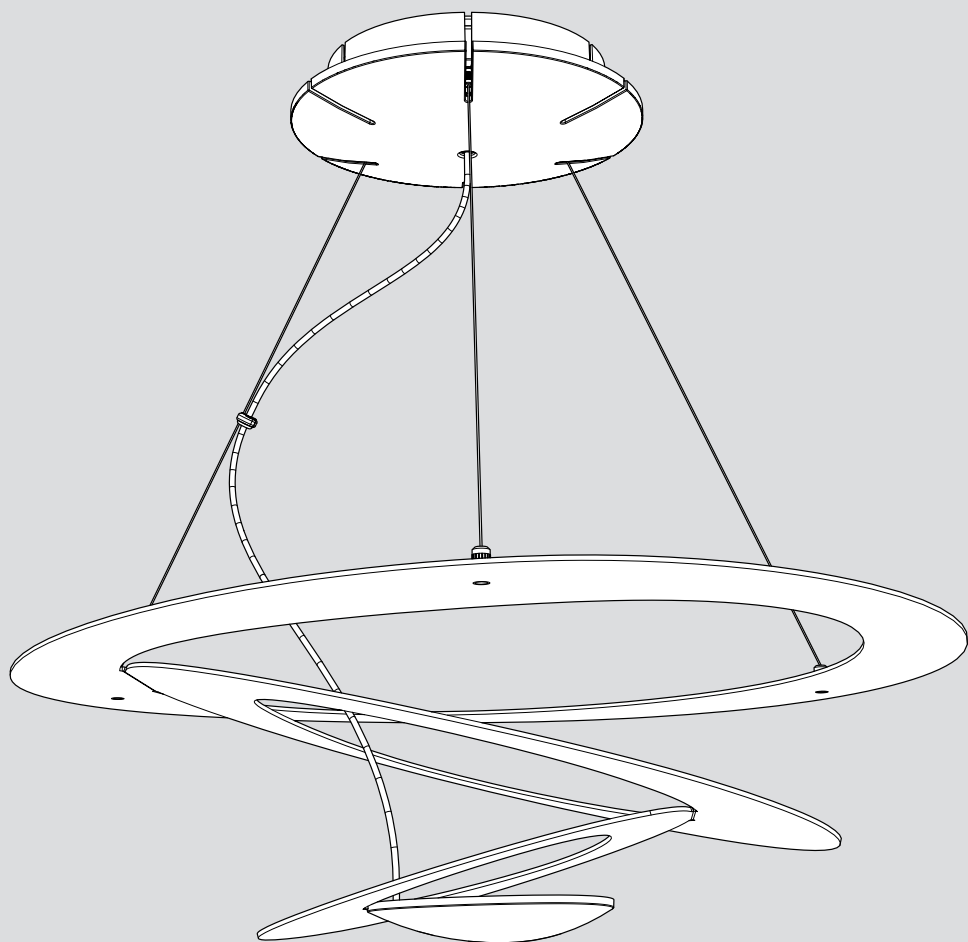


# Artemide®

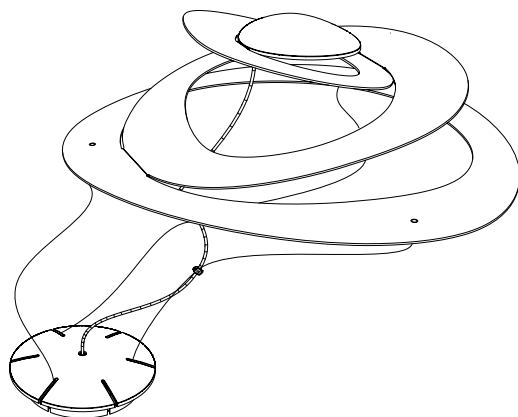
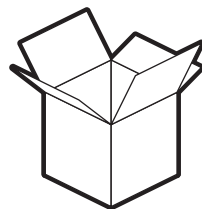
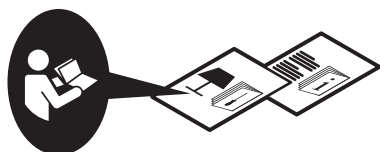
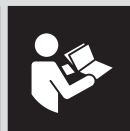
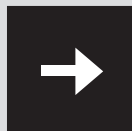
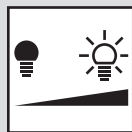
## Pirce micro

design  
G. M. Scutellà

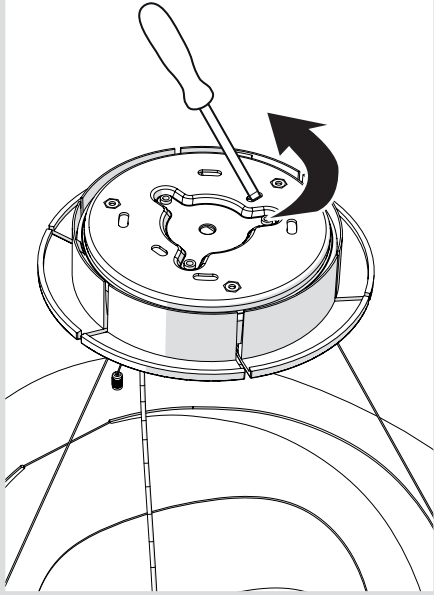




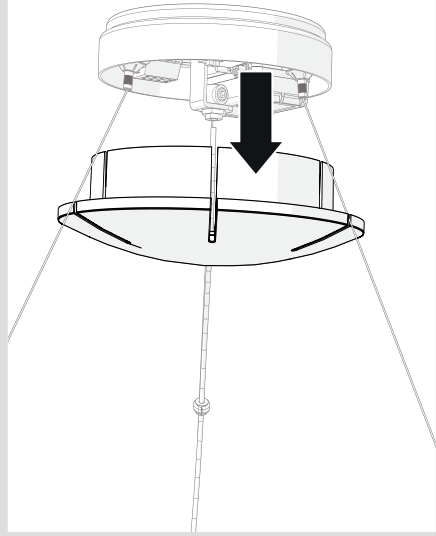
i



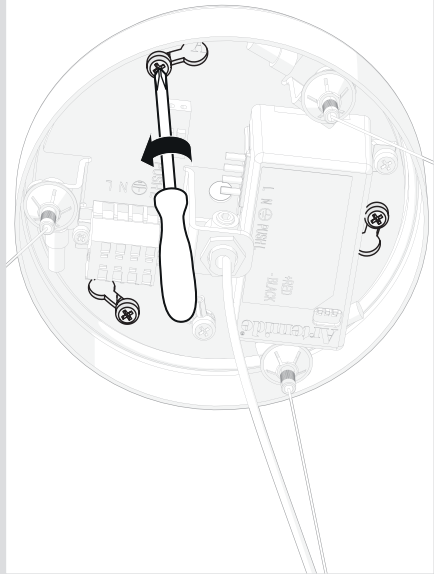
1



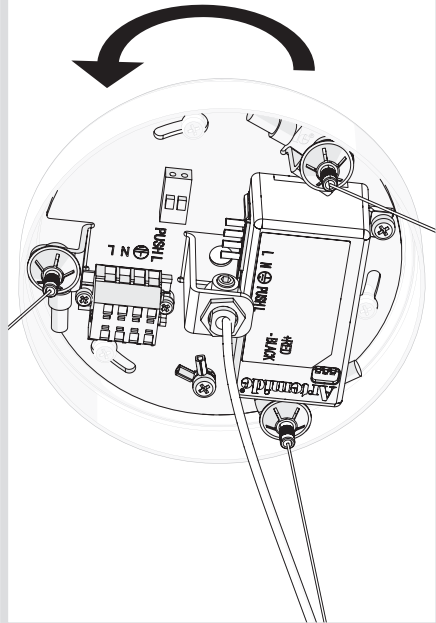
2



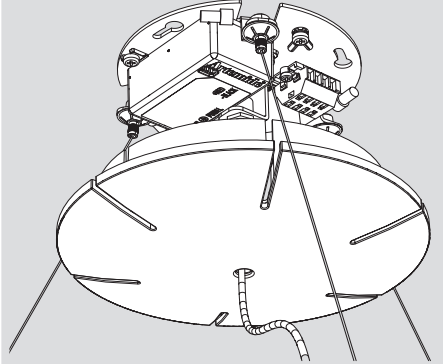
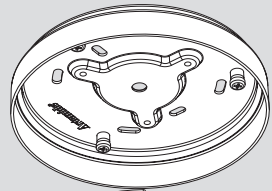
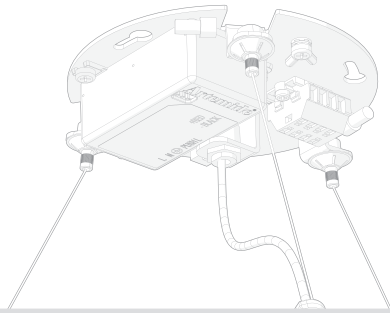
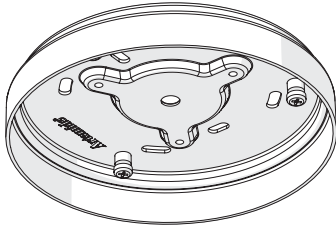
3

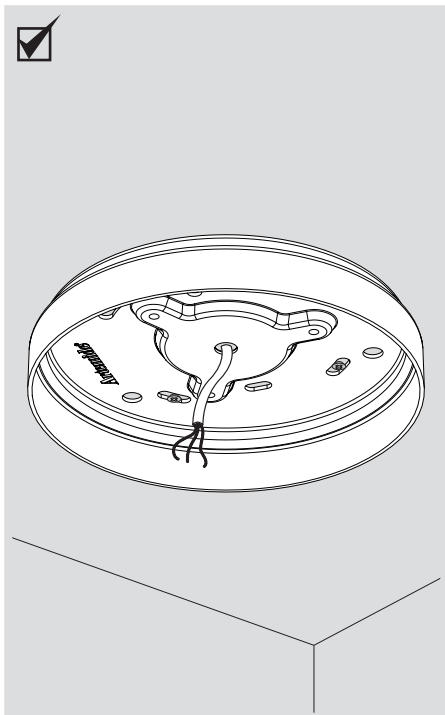
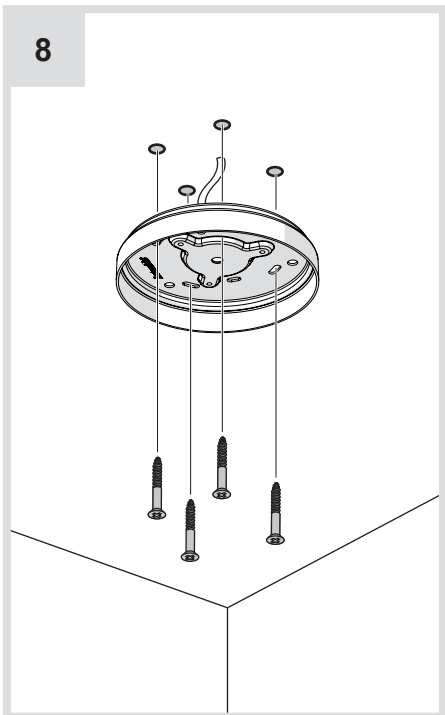
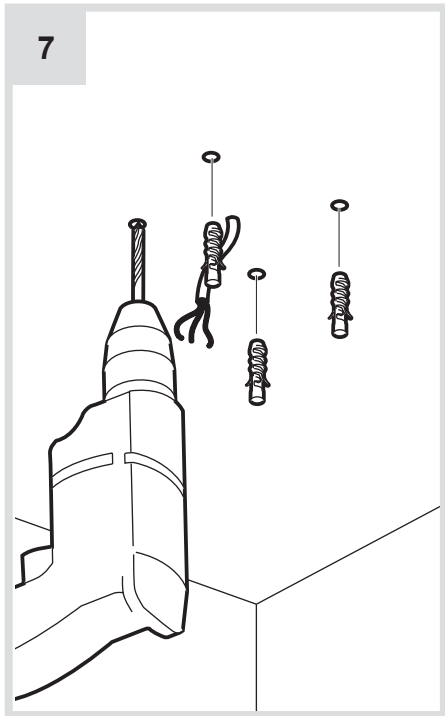
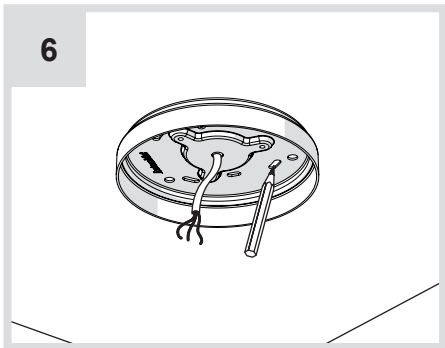
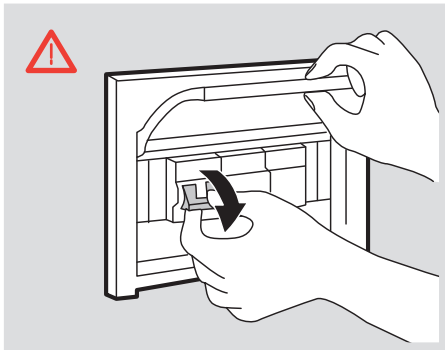


4

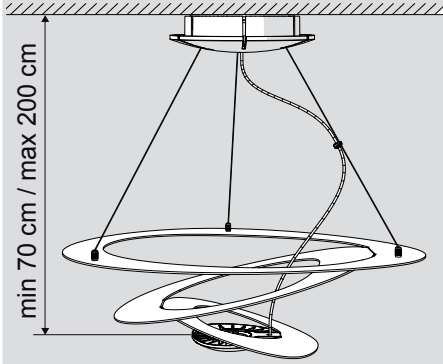


5

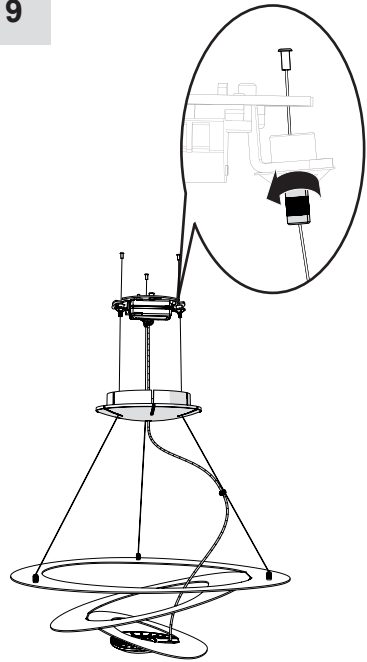




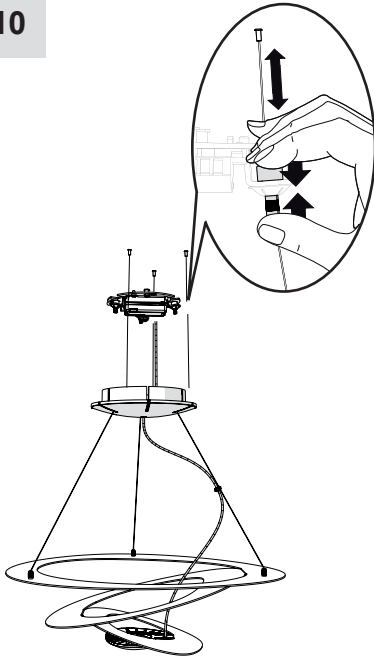
**i**



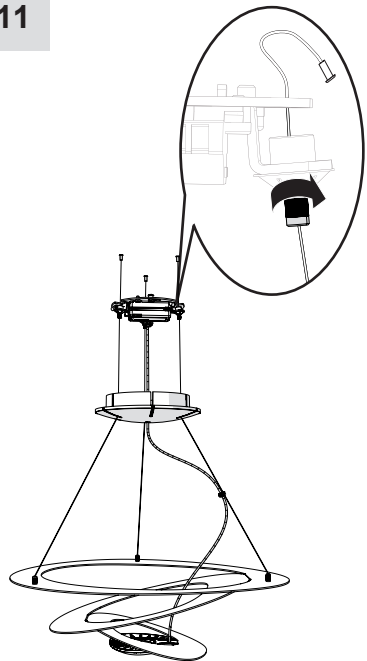
**9**



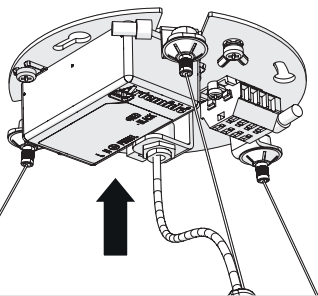
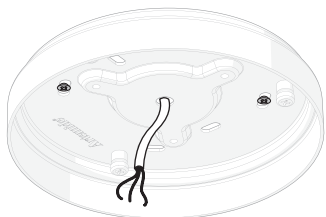
**10**



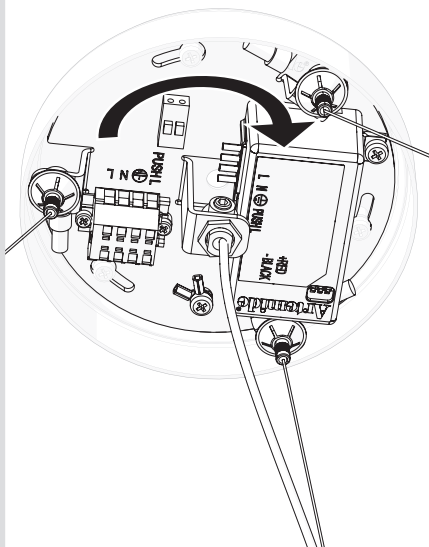
**11**



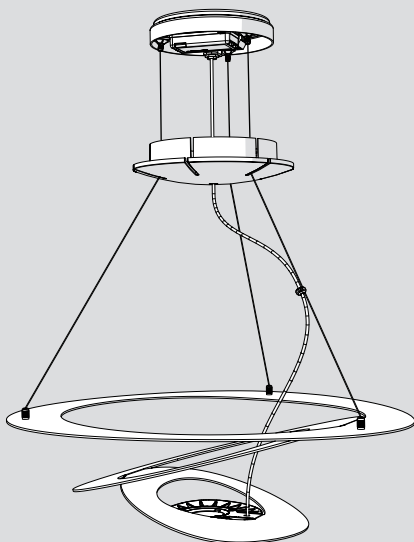
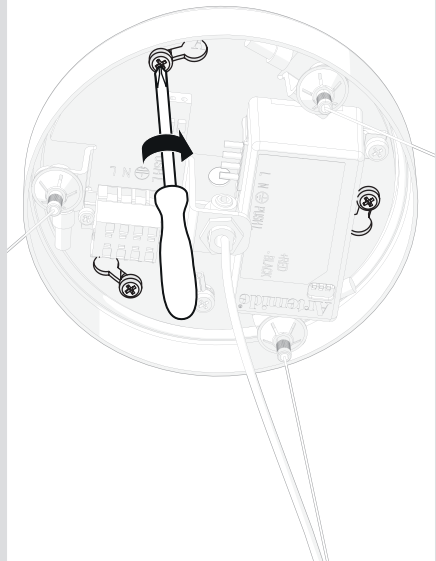
12



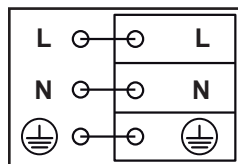
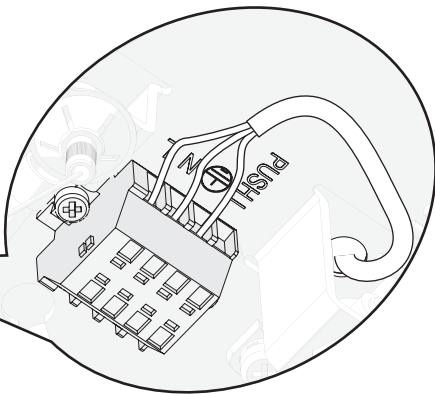
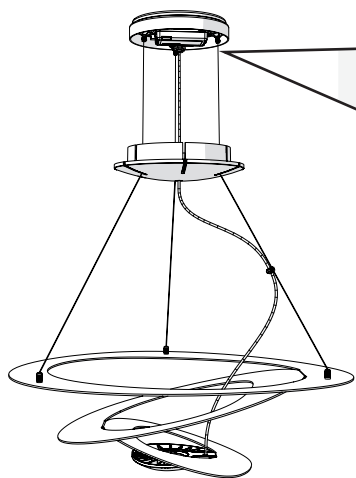
13



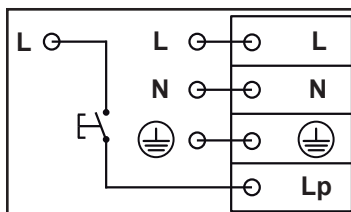
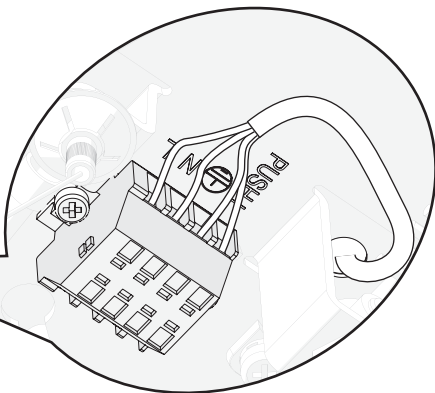
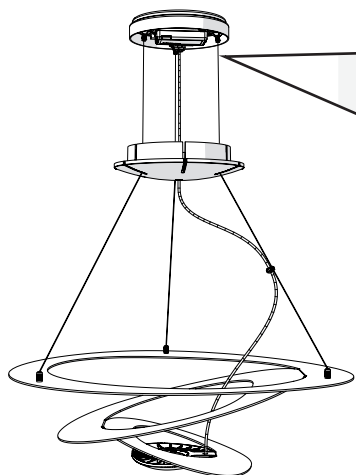
14



15a

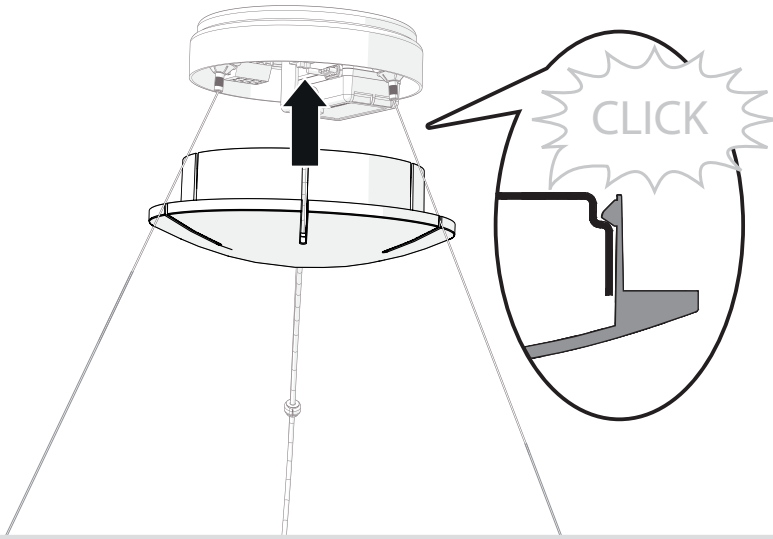


15b

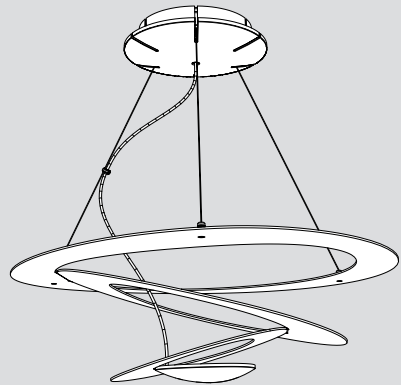
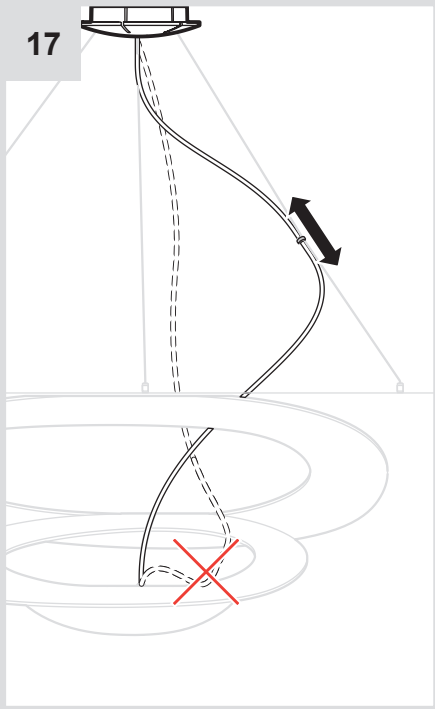




16



17

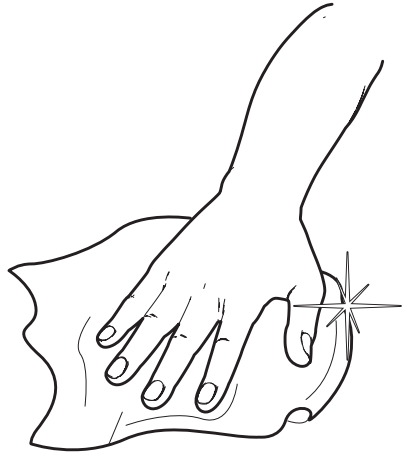




i

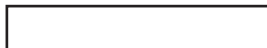


1





**Artemide®**



## **Artemide**

via Bergamo, 18  
20010 Pregnana M.se (MI)  
ITALIA

tel. +39 02 935 181  
fax +39 02 935 90 254  
fax +39 02 935 90 496

[www.artemide.com](http://www.artemide.com)

VAT IT00846890150

cod. Y513000387