

## PRODUCT DATA SHEET

### Tolomeo mini table - Halo White



#### DESIGN BY :

MicheleDe Lucchi,GiancarloFassina  
1987

#### MATERIALS :

Polished aluminium, matt anodised aluminium

#### DESCRIPTION :

Base and cantilevered arms in polished aluminium; diffuser in matt anodised white aluminium; joints and supports in polished aluminium. System of spring balancing.

Interchangeable support: table base, clamp, desk fixed support and twin support that allows two independent lamp units to be fitted.

#### Light emission



### TECHNICAL DATA SHEET

#### FEATURES

Product name:	Tolomeo mini table - Halo White
Article Code:	A005920
Colour:	White
Material:	Polished aluminium, matt anodised aluminium
Support:	Base
Support colour:	White
Series:	Design

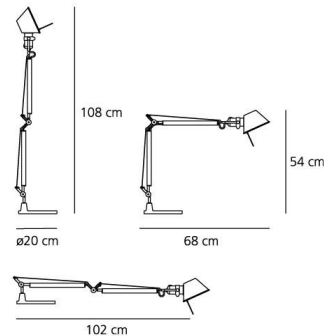
#### DIMENSIONS

Length:	cm 54
Height:	cm 54
Base Diameter:	cm 20
Max Extension Height:	cm 108
Max Extension Length:	cm 102
Cutout shape:	

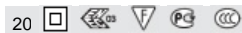
#### LAMPS INCLUDED

Category:	HALO
Number:	1
Lbs:	Qa60
Watt:	70 W
Socket:	E27
Type:	Hsgsa/c/ub
Luminous Flux (lm):	1180 lm
Colour Rendering:	1a
Colour temperature (K):	2900 K
Duration (h):	2000

#### DIMENSIONS



#### LAMP



#### LUMINAIR

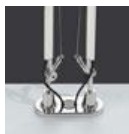
Watt:	77W
Voltage:	220V-240V



TOLOMEO SUPP.TAVOLO  
FISSOA004200



TOLOMEO  
MORSETTOA004100



TOLOMEO SUPPORTO  
TAVOLO TWINA004300



TOLOMEO BASE D 200  
VERN BCOA008620

## ACCESSORIES

---



TOLOMEO SUPP.TAVOLO  
FISSOA004200



TOLOMEO  
MORSETTOA004100



TOLOMEO SUPPORTO  
TAVOLO TWINA004300



TOLOMEO BASE D 200  
VERN BCOA008620