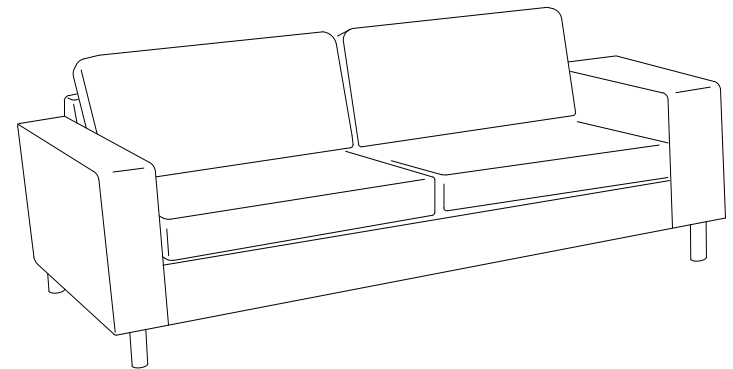


SCANDINAVIA SOFABED



Bolia.com
new scandinavian design

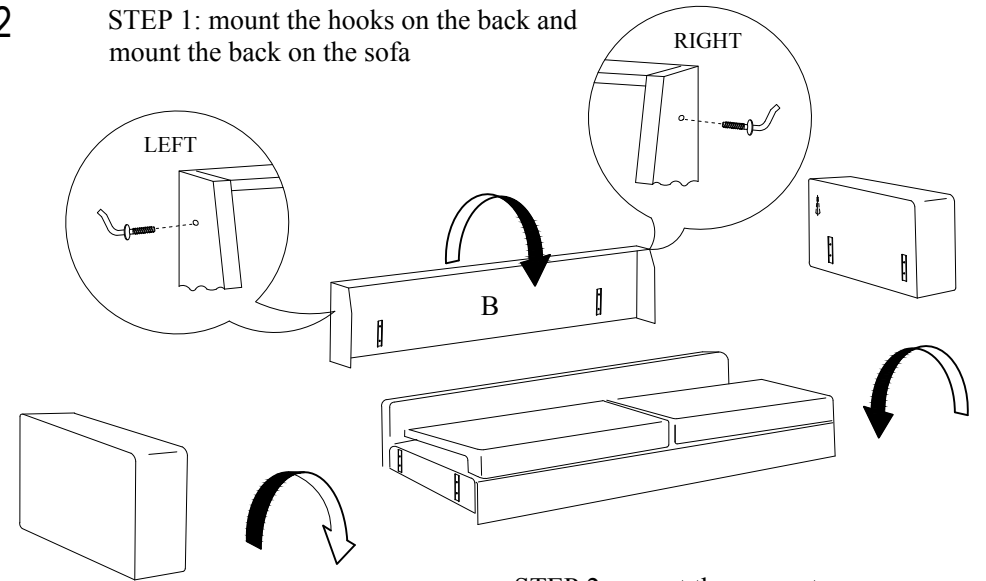
Bolia.com
new scandinavian design



WARNING!!!
Never fully open the sleeping mechanism before complete sofa assembly!
Never use the lift-up wheels if you want to open the sleeping mechanism.
It is not possible for technical reasons and injuries may occur!
When using the sleeping mechanism the sofa must stand firmly on the legs!
Assembly of this sofa is the task for two people!

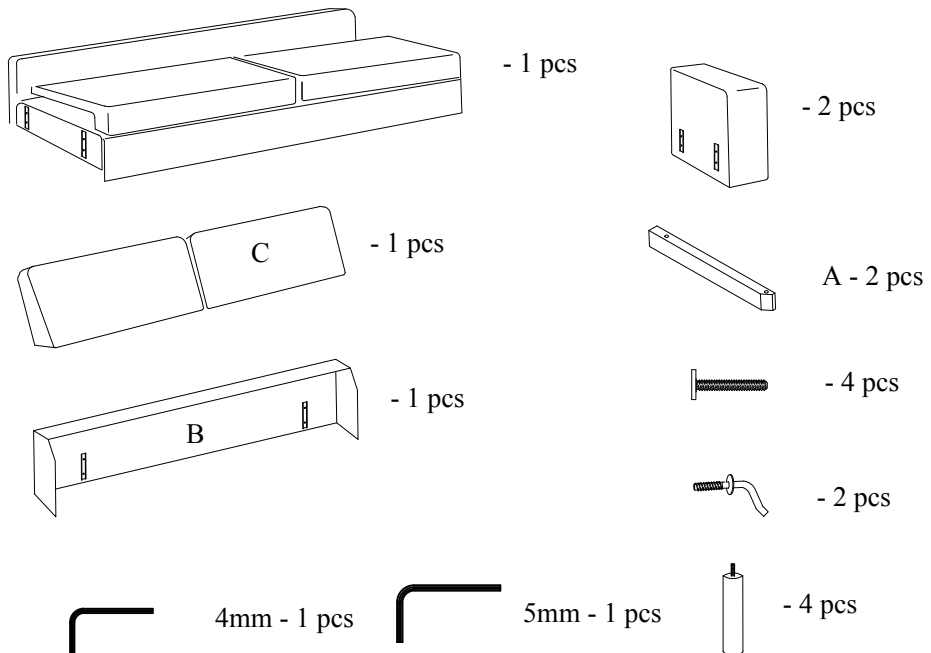
2

STEP 1: mount the hooks on the back and mount the back on the sofa



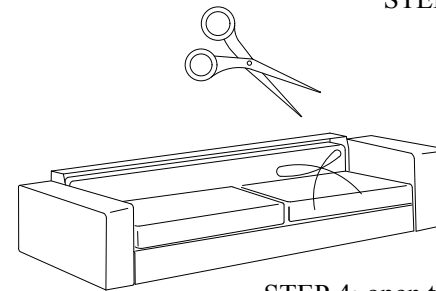
STEP 2: mount the armrests

1

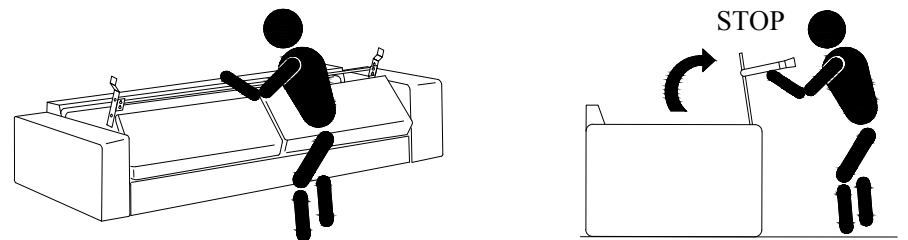


3

STEP 3: cut off the twine

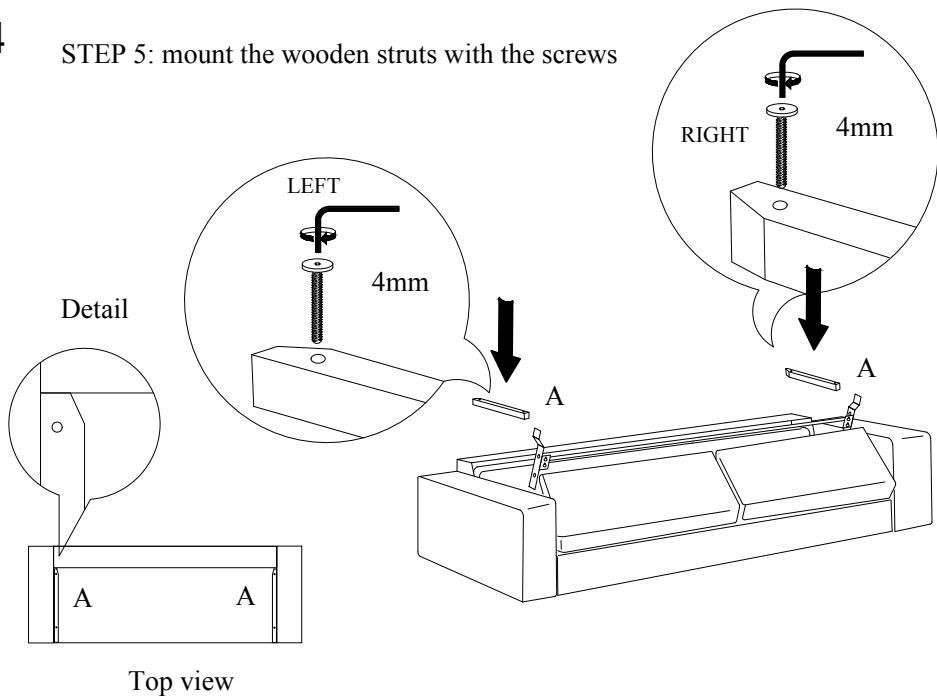


STEP 4: open the mechanism max. 90°



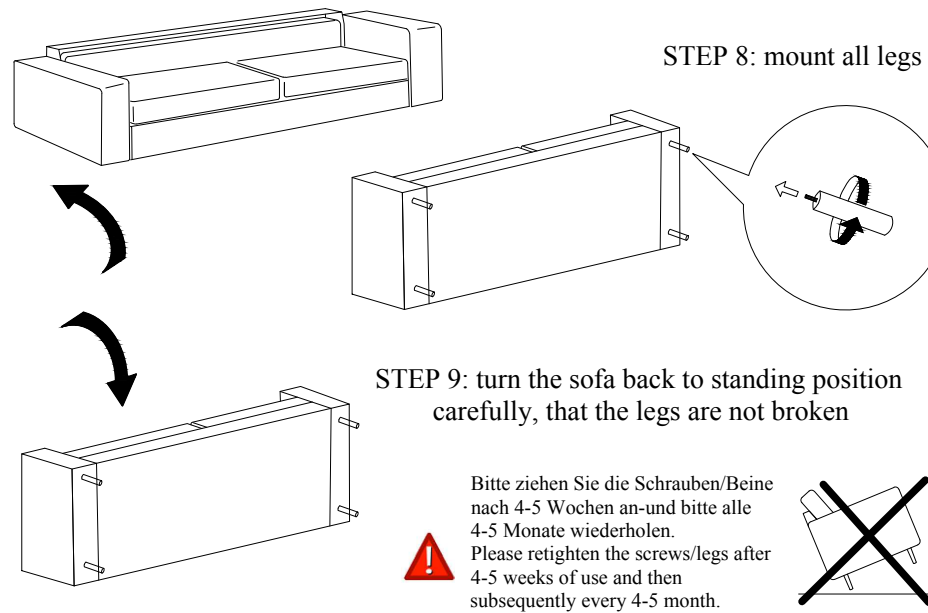
4

STEP 5: mount the wooden struts with the screws



6

STEP 7: turn the sofa on the back



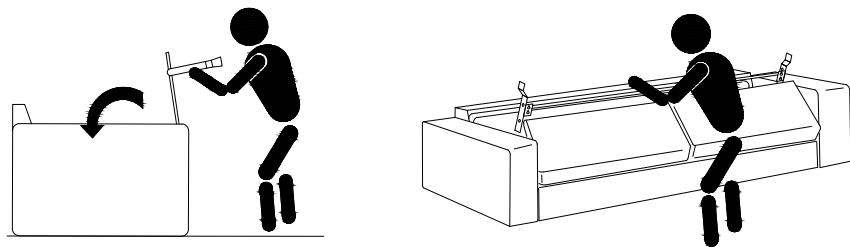
STEP 8: mount all legs

STEP 9: turn the sofa back to standing position carefully, that the legs are not broken

Bitte ziehen Sie die Schrauben/Beine nach 4-5 Wochen an-und bitte alle 4-5 Monate wiederholen.
Please retighten the screws/legs after 4-5 weeks of use and then subsequently every 4-5 month.

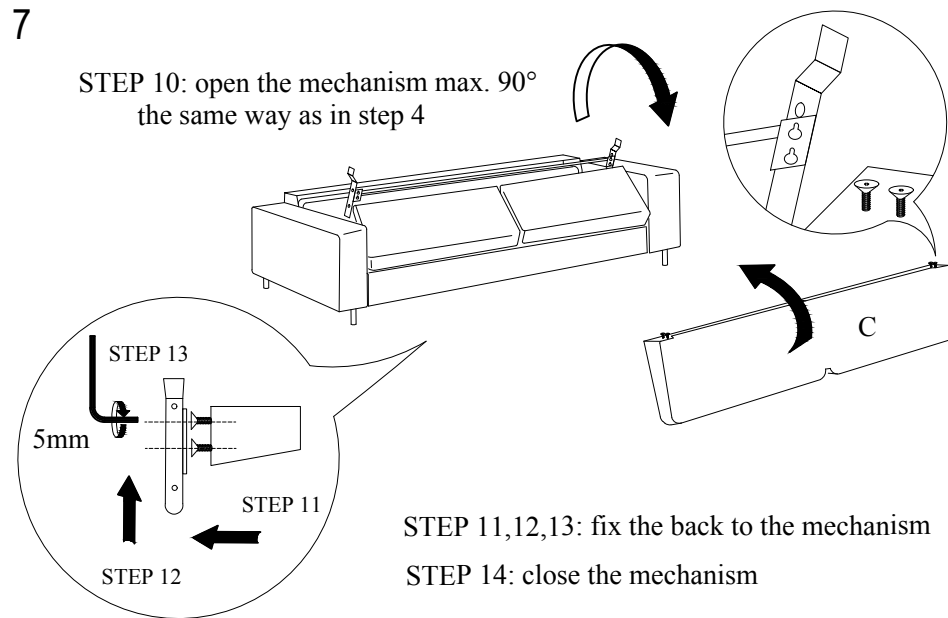
5

STEP 6: close the mechanism



7

STEP 10: open the mechanism max. 90° the same way as in step 4



STEP 11,12,13: fix the back to the mechanism
STEP 14: close the mechanism