

**Information:** The content of this document, in particular the mentioned models, is protected by copyrights and/or design rights. The present document and its content is communicated to you for information purposes only. Any partial or total reproduction or any other use without our prior written permission is strictly prohibited.

This technical sheet remains subject to possible changes. **All dimensions are in mm**, unless mentioned otherwise. Extremis is not responsible for the errors in the documentation of products. All measurements are approximate and are provided for informational purposes only.

**TECH SHEET**  
20150714

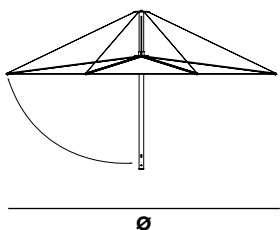
# INUMBRA

**{extremis}**  
tools for togetherness

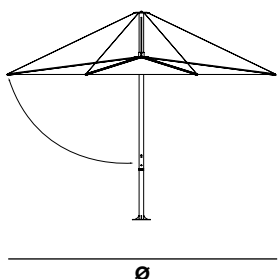


**Versions & options:**

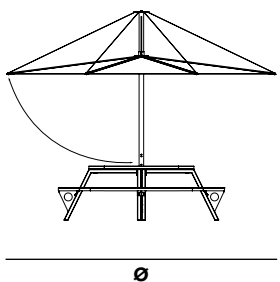
*Inumbra ø35 | Inumbra ø40 | floor fastening | concrete base | concrete wheel base | permanent fixation | in combination with Gargantua & Pantagruel*



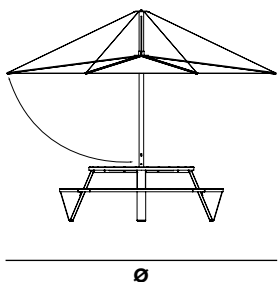
Dimensions (mm)	Ø	H	h <sub>1</sub>
Inumbra ø35	3500	2027	1205
Inumbra ø40	4000	2190	1310



Dimensions (mm)	Ø	H	h <sub>1</sub>	h <sub>2</sub>
Inumbra ø35 with floor fastening	3500	2732	1910	865
Inumbra ø40 with floor fastening	4000	2895	2015	775



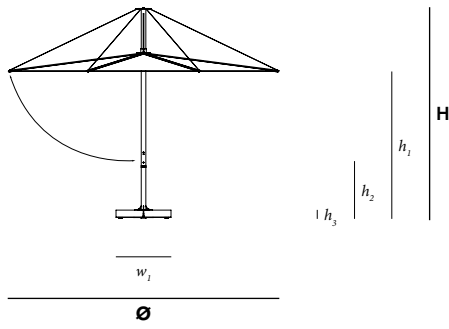
Dimensions (mm)	Ø	H	h <sub>1</sub>	h <sub>2</sub>
Inumbra ø35 on Gargantua	3500	2747	1925	880
Inumbra ø40 on Gargantua	4000	2910	2030	790



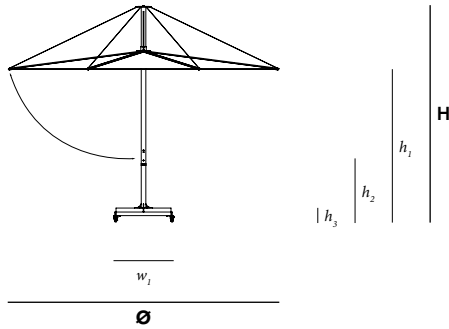
Dimensions (mm)	Ø	H	h <sub>1</sub>	h <sub>2</sub>
Inumbra ø35 on Pantagruel	3500	2743	1921	876
Inumbra ø40 on Pantagruel	4000	2906	2026	786



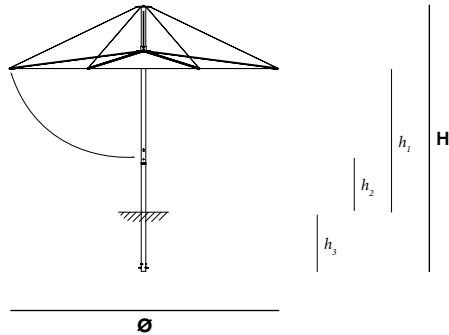
WWW.EXTREMIS.BE



Dimensions (mm)	Ø	H	h <sub>1</sub>	h <sub>2</sub>	h <sub>3</sub>	w <sub>1</sub>
Inumbra ø35 on concrete base	3500	2747	1925	880	112	760
Inumbra ø40 on concrete base	4000	2910	2030	790	112	760



Dimensions (mm)	Ø	H	h <sub>1</sub>	h <sub>2</sub>	h <sub>3</sub>	w <sub>1</sub>
Inumbra ø35 on concrete wheel base	3500	2825	2003	958	190	825
Inumbra ø40 on concrete wheel base	4000	2988	2108	868	190	825

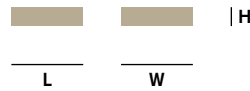


Dimensions (mm)	Ø	H	h <sub>1</sub>	h <sub>2</sub>	h <sub>3</sub>
Inumbra ø35 with permanent fixation	3500	2747	1925	880	786
Inumbra ø40 with permanent fixation	4000	2910	2030	790	786

BOX 1: INUMBRA



BOX 2: CONCRETE BLOCK



BOX 3: GALVANISED FRAME

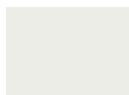


Box dimensions (mm)		L	W	H	Qty (#)	Volume (m <sup>3</sup> )	Gross weight (kg)	Net weight (kg)	Packaging weight (kg)
Inumbra ø35	Box 1	2250	250	250	1	0,14	36,33	33,05	3,28
Inumbra ø40	Box 1	2250	250	250	1	0,14	38,28	35,00	3,28
Concrete base	Box 2	380	380	100	4	0,06	118,80	117,20	1,60
Concrete wheel base	Box 2	380	380	100	4	0,06	118,80	117,20	1,60
	Box 3	800	800	50	1	0,03	7,70	7,30	0,40
	<b>total:</b>				<b>0,09</b>		<b>126,50</b>	<b>124,50</b>	<b>2,00</b>

The parts mentioned below are delivered inside the parasol box 1:

- assembly for Gargantua & Pantagruel: IUGA 1,35 kg
- assembly for permanent fixation: IUFU 5,47 kg
- floor fastening: IUV70 3,75 kg
- extension for concrete base: IUV60 3,44 kg
- galvanised frame for concrete base 6,30 kg

## FABRIC



White



Taupe



Black



Materials	Key facts	Thickness	Layer thickness	Density	In/outdoor	Water	UV colour fastness	Flame retarding
		mm	micron					
High tech polyester fabric	<ul style="list-style-type: none"> <li>• high UV resistance and ultra strong</li> <li>• low weight / high tear strenght</li> <li>• long term appearance</li> </ul>	0,37	n.a.	250 g/m <sup>2</sup>	outdoor & indoor	the fabric has a water column of 350 mm (EN 20811)	7/8 (ISO 105-B02)	/
Stainless steel base	<ul style="list-style-type: none"> <li>• high rusting resistance</li> <li>• periodical maintenance</li> </ul>	2 - 5	n.a.	8,00 10 <sup>3</sup> kg/m <sup>3</sup>	outdoor & indoor	n.a.	very good	NEN-EN13501-1 A1 *
Concrete base	<ul style="list-style-type: none"> <li>• made under high pressure</li> <li>• matt and porous</li> </ul>	100	n.a.	2,10 10 <sup>3</sup> kg/m <sup>3</sup>	outdoor & indoor	n.a.	very good	NEN-EN13501-1 A1 *
Galvanised steel base for concrete base	<ul style="list-style-type: none"> <li>• most durable method for protecting metal from rusting</li> <li>• protective layer</li> <li>• very long life span</li> <li>• can perfectly be recycled</li> </ul>	2 - 10	50 - 100	7,50 10 <sup>3</sup> kg/m <sup>3</sup>	outdoor & indoor	n.a.	very good, galvanisation will however become dull when used outdoors	NEN-EN13501-1 A1 *

\* NEN-EN13501-1 A1

Class A1 products will not contribute in any stage of the fire including the fully developed fire. For that reason they are assumed to be capable of satisfying automatically all requirements of all lower classes.

## APPLICATIONS

**Public:** fixed to the ground, fixed into the ground, on a (wheel) base, on a Gargantua / Pantagruel table

## GOOD TO KNOW

1. The diameter of the pole is Ø63,5 mm
2. Inumbra combines perfectly with the Gargantua & Pantagruel.



## WARNING

Ask for assistance when closing the parasol in strong winds. Opposite the wind's direction, at least one person needs to guide the parasol's spines downwards in order to avoid the parasol from blowing open fiercely halfway down.

If you hear the cables whistling due to heavy wind or if you are not using the parasol, close it and use the slip-cover to avoid the parasol from opening or getting dirty.

Do not leave the parasol unattended when opened.

For ventilation purposes, the cover is not 100% water proof.

Do not leave closed if not completely dry. Do not leave the parasol closed for a long time if it is still damp or wet.

Store the parasol when not in use for a long time as follows: vertically, completely dry and in a dry environment.

## FLOOR FASTENING

Inumbra comes with optional floor anchoring set and an assembly for permanent fixation into a concrete foundation.



## F.A.Q.

**Q:** Is the fabric 100% waterproof?

**A:** With light rain fall you can stay seated under the parasol. The fabric is slightly slanted in opened position. By heavy rain fall the canvas lets through a little bit of water. This is typical for the fabric and necessary because the fabric should be able to ventilate.

**Q:** Can you remove the fabric for washing?

**A:** We don't advice this but it is possible. In the first place, you should close the parasol when you don't use it and protect it with its cover. This avoids the parasol from getting dirty.

## MAINTENANCE

Download the manuals from our website for maintenance instructions.