

Designed by Robert Dudley Best

## PRODUCT



Item no.: 001-0313X  
+ style code

**Don't polish the brass**

## DESCRIPTION

Bestlite has been in continuous production since 1930. Robert Dudley Best created Bestlite design. He was highly influenced by the Bauhaus. In the past 80 years, people appreciated the lamps and it decorates many homes, hotels and restaurants worldwide. Loved by architects, designers and design aficionados throughout its 80-year history, today, Bestlite enjoys global iconic status.

### VERSION - BESTLITE FLOOR LAMP BL3M

Shade: Charcoalblack, Matt-White or Grey  
Tube and arm: Brass with lacquered surface

Shade and base: Brass with lacquered surface  
Tube and arm: Brass with lacquered surface

RAL codes are indicative.

- Fabric wire - Black:
- Charcoal black/Brass / White inside // RAL 9011 / RAL 9003 // Gloss level 20 / Gloss level 20
- Grey w/Brass / White inside // RAL 2604005 / RAL 9003 // Gloss level 30 / Gloss level 20
- Brass w/Brass / White inside // - / RAL 9003 // - / Gloss level 20

- Fabric wire - Off-White:
- Matt-White w/Brass / White inside // RAL 9003 / RAL 9003 // Gloss level 20 / Gloss level 20

Please contact us for other colours or finishes.

### VERSION

Order item - look for part number in the pricelist.

Series contains the following:

**BL3S, BL3M, BL3 Original shade, BL4**

## COLOURS



// Charcoal black / Brass



// Grey / Brass



// Matt-White / Brass



// All Brass

## FACTS

### MEASUREMENT - L X W X H MM

Lamp height: 1130-1520 mm  
Lamp stand: Ø280 mm  
Shade height: 180 mm  
Shade diameter: Ø210 mm  
Cord - total length w/sw: App. 4500 mm  
Cord - exposed out of lamp: App. 4230 mm

WEIGHT ITEM - LAMP INCL. WIRE  
5426 g

PACKAGING TYPE  
White cardboard box w/ 5ply corrugated

PACKAGING MEASUREMENT - L X W X H CM  
L:34 x W:37 x H:120 cm

### WEIGHT PACKAGING - MATERIAL TYPE

- LD EPE foam bund: 68,5 g
- LD EPE foam top: 148,5 g
- LD EPE foam top: 75,5 g
- Bestlite key: 18 g
- PE polybag: 1 g
- PE polybag: 180g
- Cardboard inside: 23 g
- Cardboard outside: 1713 g
- Strapping: 7 g

WEIGHT PACKAGING - TOTAL  
7742 g

NUMBER OF PARCELS  
1 pcs.

### LIGHT SOURCE:

- Socket: E14 base
- Recommended light source: *All fluorescens light bulbs*
- Recommended wattage: 9 W = (40 WATT incandescent bulbs)
- Max wattage: 13 W

- Recommended light source: *Halogen light bulb*
- Recommended wattage: 28 W = (40 WATT incandescent bulbs)
- Max wattage: 28 W

- All lamps can be fitted with a dimmer.  
Please contact your local electrician.

- Lightbulb not included

Designed by Robert Dudley Best

**CLEANING AND MAINTENANCE**

Use a soft damp cloth when cleaning your Bestlite lamp. Do not use household cleaners.

**ACCESSORIES**

Item no.: 001-99058A plug EU

**ENVIRONMENT**

**TESTS**

**CERTIFICATION AND LABELS**

CE-CERTIFIED

STANDARD

STOCK - BL3M: Floor lamp

- Euro plug: Type C, 2 PIN, 2,5 amp
- Euro voltage: 230 V
- Frequency: 50 Hz
- Supply voltage: AC power ~
- Normally Closed IP20



Class II / Double insulated



CE-Mark



Luminaires accepted for mounting on a flammable base

**KOMPONENTS**

Item no.: 001-0313X

- 01 // Shade, 115,5 g
- 05 // Lamp holder
- 10 // Insulating ring
- 11 // Internal shade ring
- 12 // External shade ring
- 13 // Lamp holder cover
- 15 // Universal joint
- 16 // Bestlite arm
- 18 // Bestlite clip
- 19 // Bestlite nut
- 20 // Bestlite bolt
- 21 // Tension spring
- 22 // Fibre washer
- 23 // Cord grip
- 24 // Cord grip cover
- 25 // Acetate
- 27 // Top knob with hole
- 29 // Tube
- 31 // Collar
- 34 // Base cover
- 37 // Feltac
- 38 // Textile covered cord
- 43 // Foot switch
- 58 // Plug
- 14 // Bestlite key

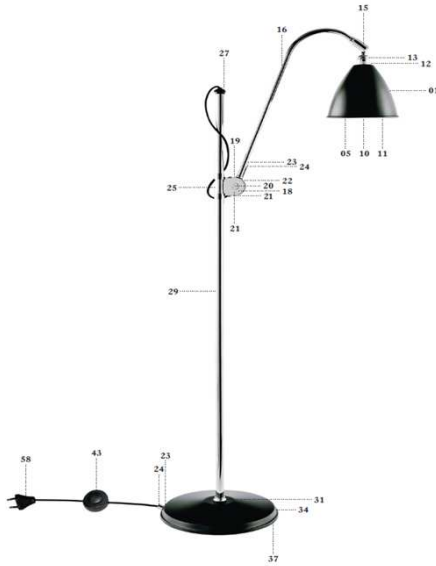
**MATERIAL**

- Shade: Charcoalblack, White or Grey
- Tube and arm: Brass with lacquered surface
- Textile covered cord

Shade and base: Brass with lacquered surface

Tube and arm: Brass with lacquered surface

Textile covered cord

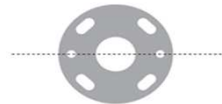


**INSTALLATION INSTRUCTIONS**

The Bestlite key:

It's a practical tool that enables you to fasten the lamp arm. Simply use it like a screwdriver in the slot in the Bestlite nut.

It is forbidden for assembly and use directly on your wall for accurate placing of the lamp. Refer to the additional manual.



**Technical information:**

Light source: 1 x E 27 incandescent or LED halogen bulb. Use a lamp with a maximum power of 100 W. The lamp is not intended for outdoor use or use in damp/room rooms.

**Some advice on cleaning your Bestlite:**

Powder coated parts - base, bracket and shade: Wipe the parts with a damp cloth to remove water and a bit of dust. Do not use any other cleaning products.

**Chrome plated parts:**

Wipe the chrome plated parts with a damp cloth. Do not use any other cleaning products. Do not use any abrasive cleaning products. Do not use any household cleaners.

Use only soft cloths for wiping and polishing, never springs or steel wool. Do not use any abrasive cleaning products. Do not use any household cleaners.

BESTLITE - GUBI A/S, Skovvej 7-9, DK-2620, Copenhagen, Denmark - www.bestlite.com



Dear Bestlite customer,  
Congratulations on your purchase!  
We are pleased to have you as a customer and we hope you will enjoy using your Bestlite lamp for many years to come.  
Please read the instructions carefully before using the lamp. The lamp is not intended for outdoor use or use in damp/room rooms.  
Do not use any other cleaning products.  
Do not use any household cleaners.  
Do not use any abrasive cleaning products.  
Do not use any household cleaners.

**BESTLITE**  
Skovvej 7-9, DK-2620, Copenhagen, Denmark

