

GUBI

ASSEMBLY INSTRUCTIONS

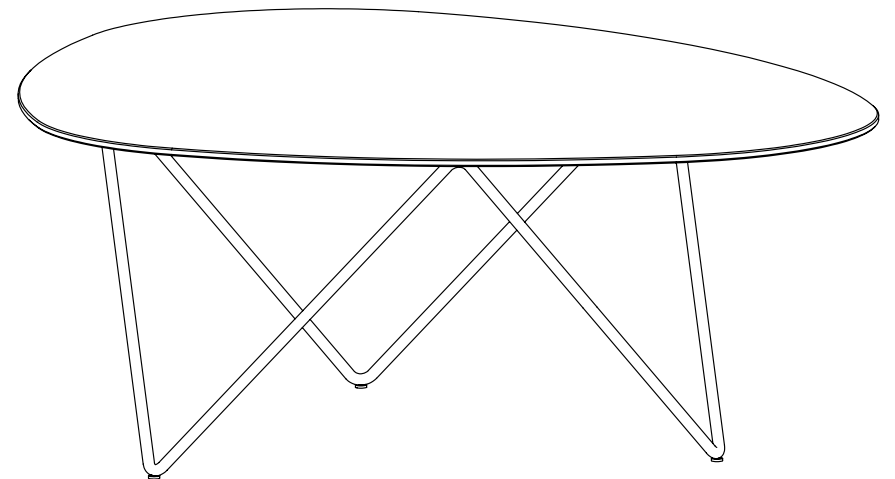
for

PEDRERA COFFEE TABLE



CARE INSTRUCTIONS

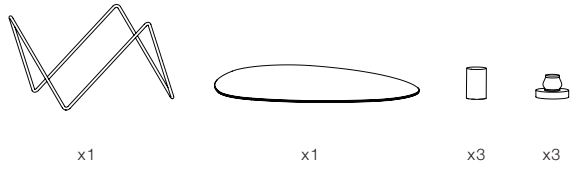
For dusting and light cleaning of the frame use a soft, dry cloth.
For further cleaning of the frame, use a soft cloth that is firmly wrung in clean water for gently wiping the surface, and then immediately use a dry cloth to wipe the surface again. If more thorough cleaning is necessary, use a mild detergent or washing-up liquid dissolved in water on a firmly wrung cloth to wipe the frame. Afterwards, repeat the process with clean water as described above.



For enquiries contact GUBI A/S - CVR: 17940384
Klubensvej 7-9, 2150 Nordhavn, Copenhagen, Denmark
T +45 69 15 60 60 - order@gubi.dk
GUBI.COM

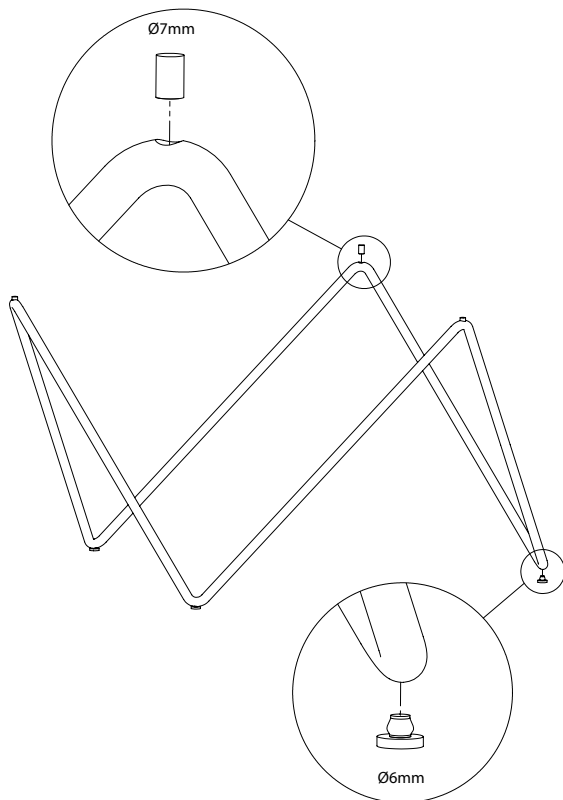
CONTENTS.

PEDRERA COFFEE TABLE



1.

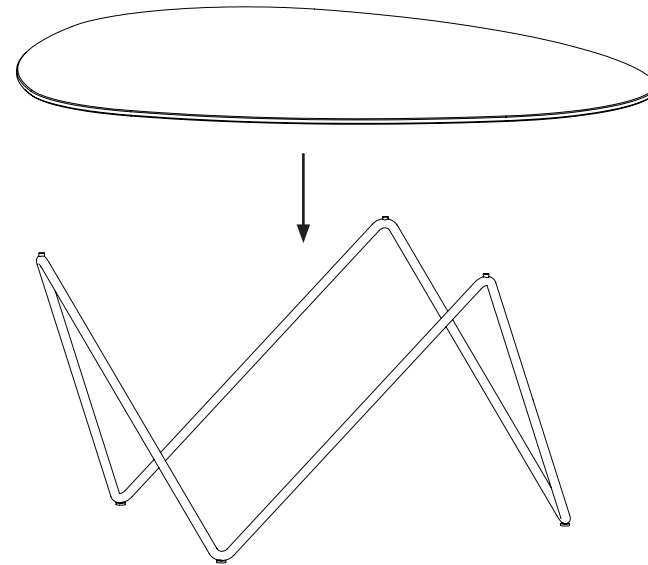
Insert the Ø7mm black silicone bumpers into the holes in the top of the frame.



Insert the Ø6mm transparent silicone bumpers into the holes in the bottom of the frame.

2.

Place the glass piece onto the frame with the black silicone bumpers facing up and the transparent silicone bumpers facing the floor.



3.

