

INSTRUCTION MANUAL

---

# ABOUT A TABLE AAT15/AAT20

4 LEGS



*By Hee Welling & HAY*

**HAY**

## INTRODUCTION

---

The About A Table shares the general versatility and design language as the rest of the About A Chair family.

The table features the same powder coated frame as many of the chairs in the series, and the organic curves and raised feet convey a similar light expression.

## CARE AND MAINTENANCE

---

### CAUTION

With a little care you can prolong the life of your furniture. Follow the instructions for the materials of your specific product to make sure that it stays in the best shape for as long as possible.

The information below is only intended as a general guideline. For more information on how to remove specific stains, please enquire where you bought the furniture.

- Always remove stains quickly before they can do any permanent damage to the furniture.
- Avoid placing the table in direct sunlight or near a heat source to reduce changes. As linoleum is a natural material, it will change in colour and will patinate over time.
- When you move your furniture, make sure you lift it rather than pulling or pushing it to avoid damaging the floor, legs and mountings.
- Tighten up the screws after one to two months' use and whenever required.
- Avoid improper use such as putting your feet on the table and standing on it.
- Use coasters under damp, hot or coloured objects to avoid permanent stains.
- Avoid partially covering the surface, for example with tablecloths or place mats, as colour variances may appear.
- Be careful not to scratch or damage the surface with sharp objects.

## CARE AND MAINTENANCE

---

### LINOLEUM

- Wipe with a clean cloth wrung in water or in a solution of water and a neutral detergent or soap flakes. Remove soap residue immediately using a clean, dry cloth.
- If the surface is scratched or appears matt, use a care product especially suited to linoleum.
- Stains may be carefully removed using white spirit (mineral spirit) or a damp nano sponge dipped in lukewarm water or linoleum care product. Follow up immediately with a clean, dry cloth. Never use the nano sponge dry.
- Avoid alkaline detergents such as soft (yellow) soap, washing soda, lye and scouring powder.

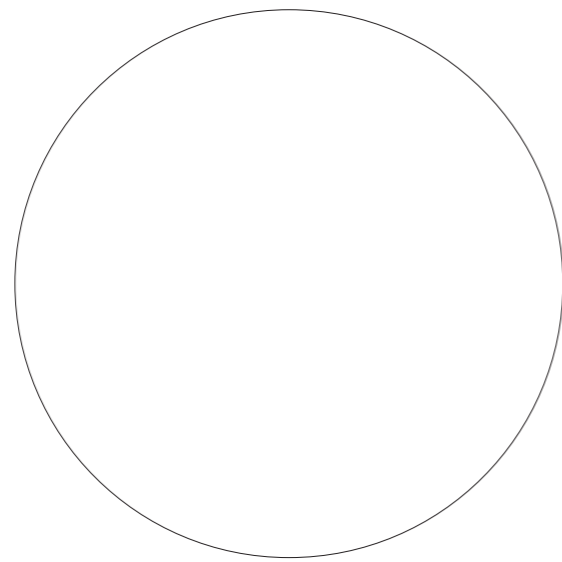
### LAMINATE

- Wipe with a clean cloth wrung in water or in a solution of water and a neutral detergent. Remove soap residue immediately using a clean, dry cloth.
- Stains may be carefully removed using household ammonia or with a clean, damp cloth or a nano sponge wrung in warm water. Never use the nano sponge dry. Follow up immediately with a clean, dry cloth.
- Avoid using scouring cream or scouring pads, as they may scratch the surface.

### POWDER COATED OR POLISHED ALUMINIUM

- Wipe with a clean cloth wrung in water or in a solution of water and a neutral detergent. Remove soap residue immediately using a clean, dry cloth.
- Avoid using scouring cream or scouring pads, as they may scratch the surface.

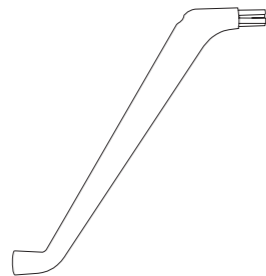
# PARTS



A x 1



B x 1



C x 4



D x 4



E x 2



F x 12



G x 4



H x 4



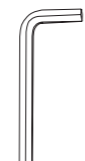
I x 8



J x 8



K x 2



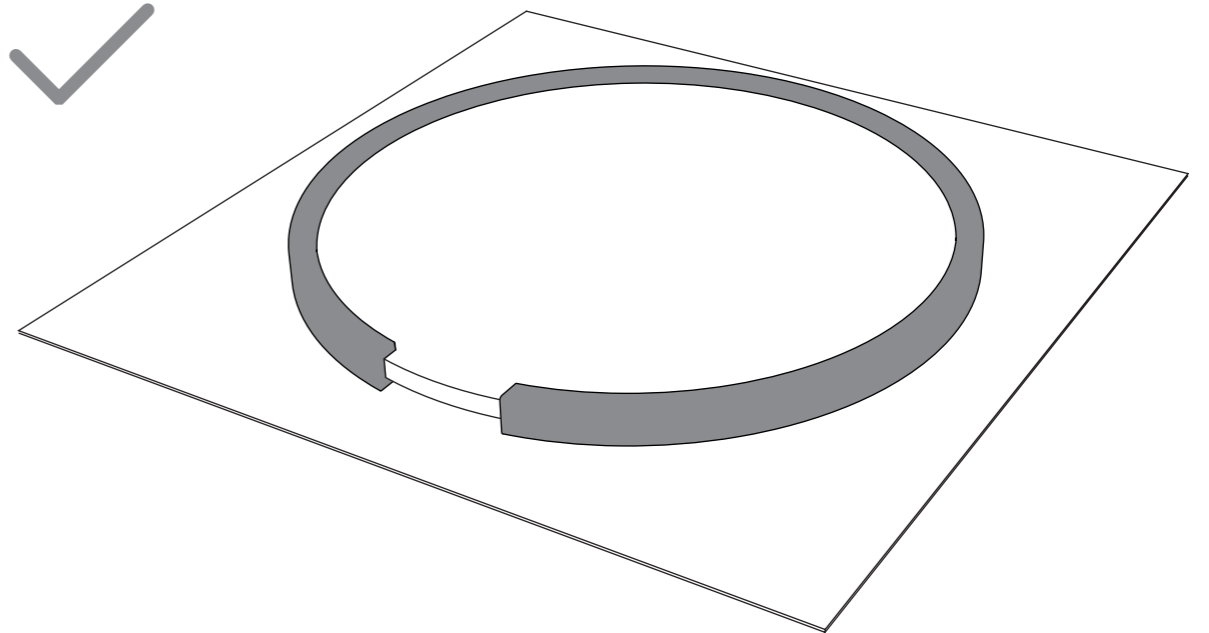
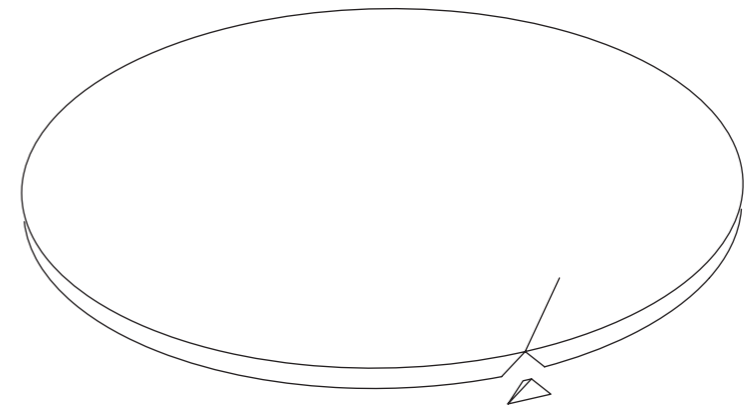
L x 1



M x 1

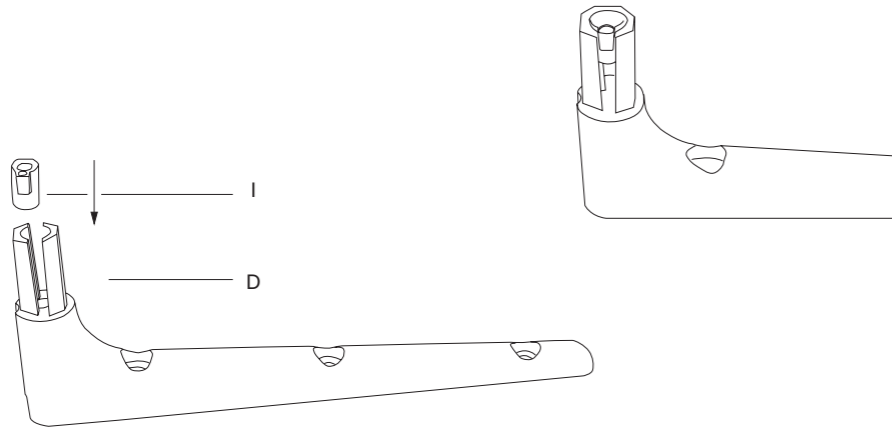
# CAUTION

While assembling, keep the tabletop inside the cardboard box with foam edge in order to protect the tabletop from scratches etc. Make sure that all parts are included.



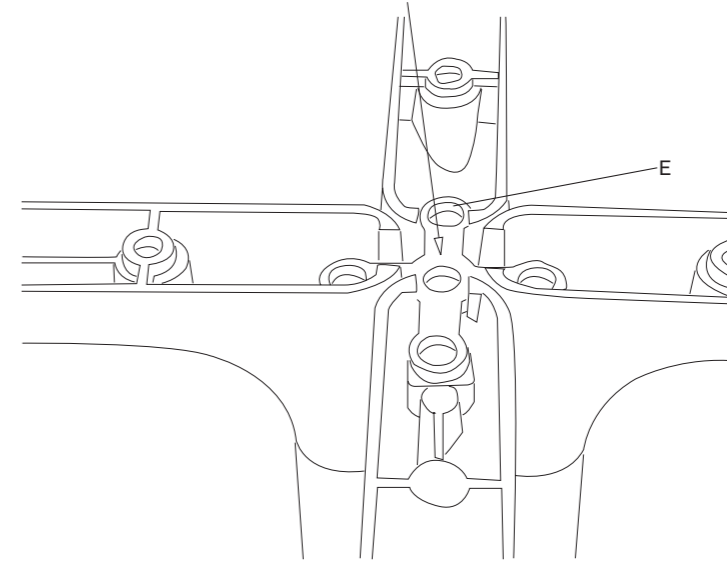
2.

Slide the I part into the D part and press it down gently.  
Repeat this step on all 4 x D parts.



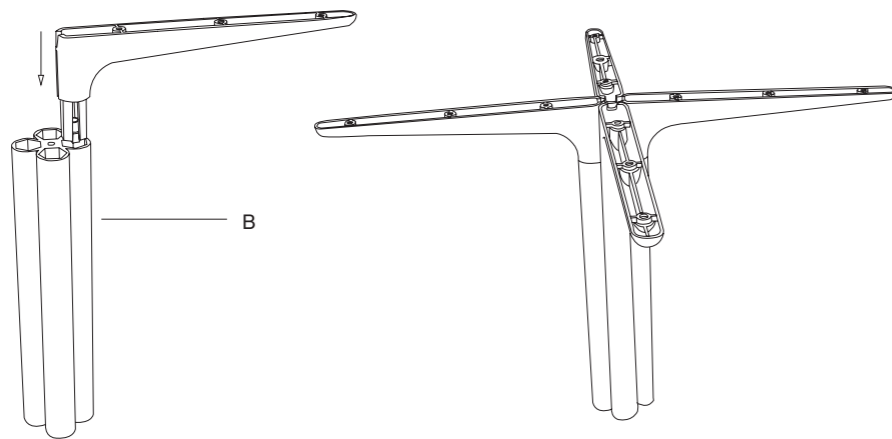
4.

Place the E part in the shown holes of the D parts.



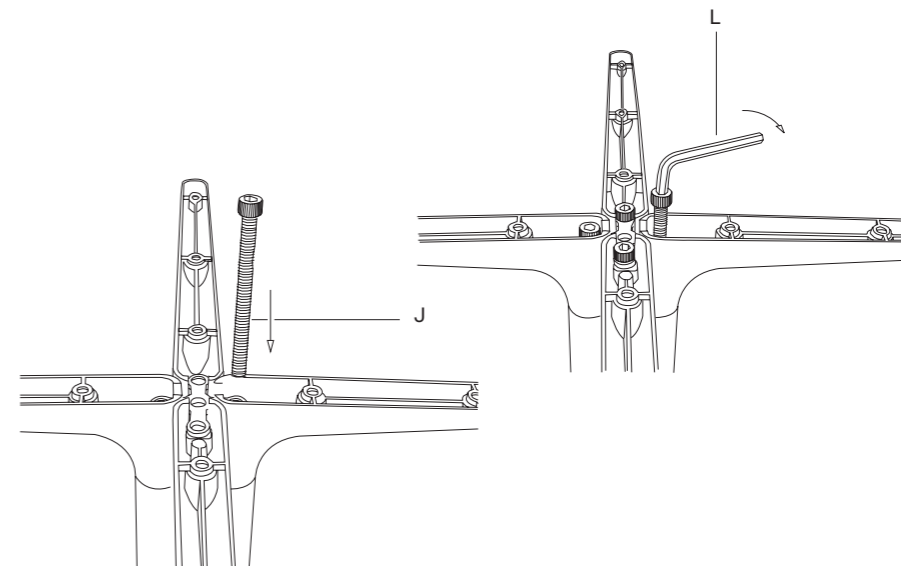
3.

Place the D part into the B part.  
Repeat this step on all 4 x D parts.



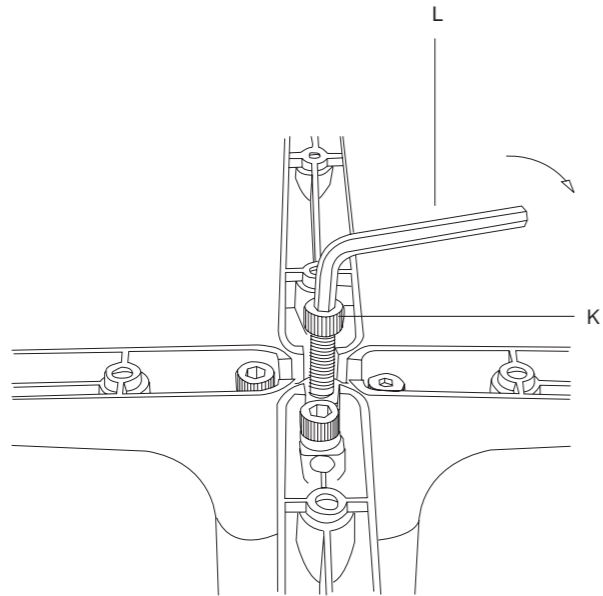
5.

Screw 4 x J parts in the shown holes of the E part, using the Allen key (L):



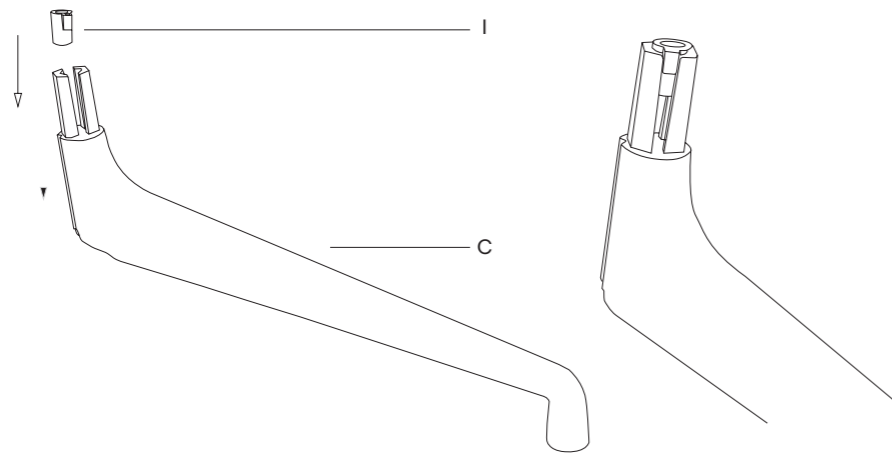
6.

Screw 1 x K part in the shown hole of the E part, using the Allen key (L).



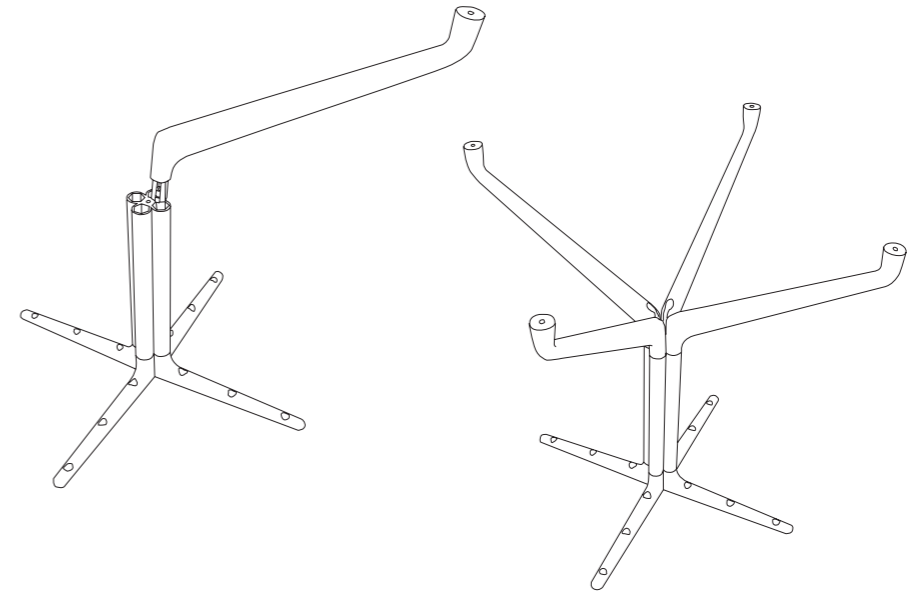
7.

Place the I part into the C part and press it down gently.  
Repeat this step on the 4 x C parts.



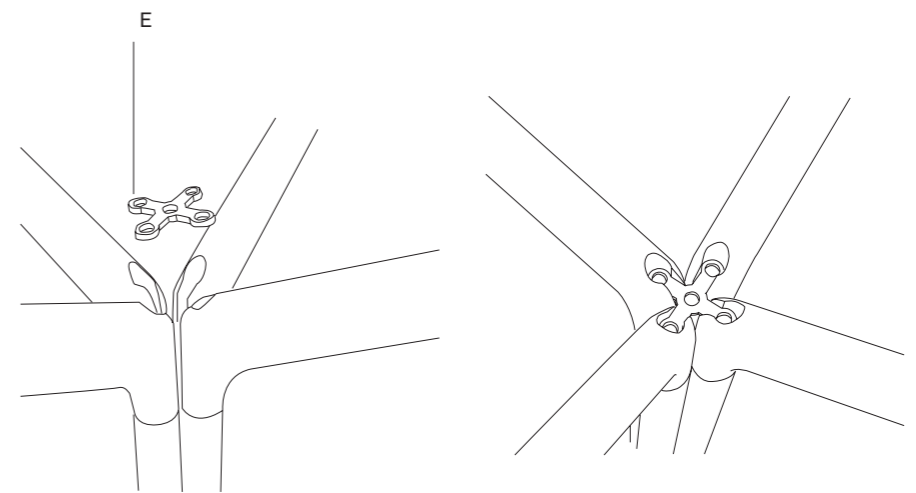
8.

Place the C part in the shown holes of the B part. Repeat this step on all 4 x C parts.



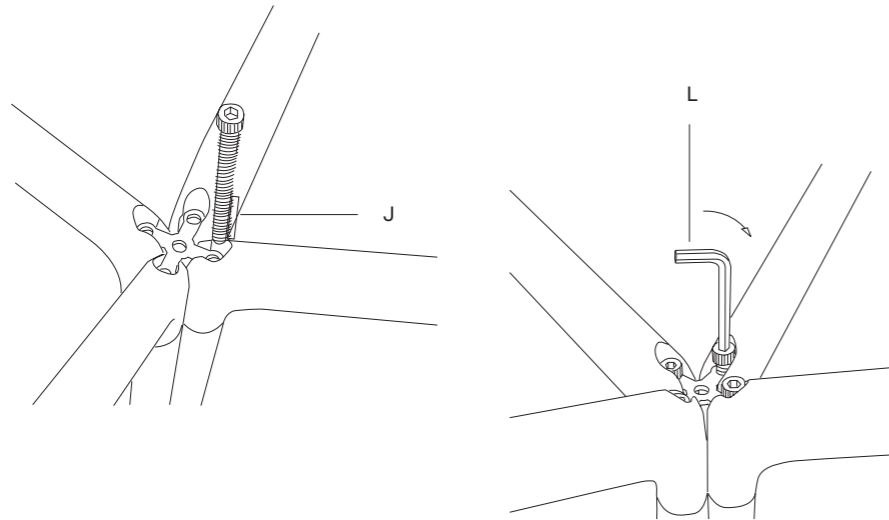
9.

Place the E part in the shown holes of the C parts.



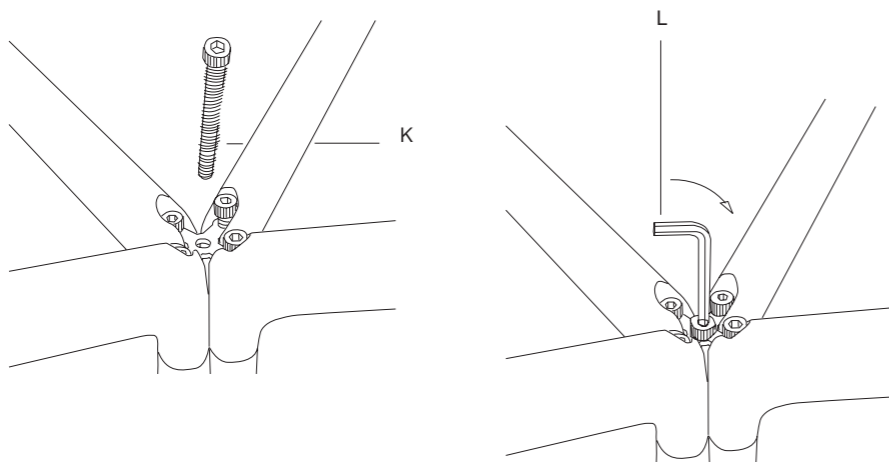
10.

Screw 4 x J parts into the shown holes of the E part using the Allen key (L).



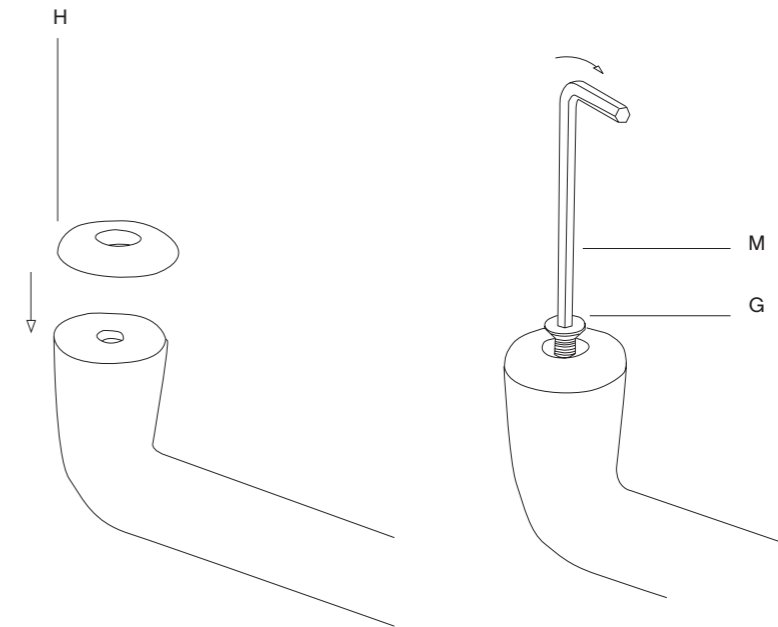
11.

Screw 1 x K part in the shown hole of the E part using the Allen key (L).



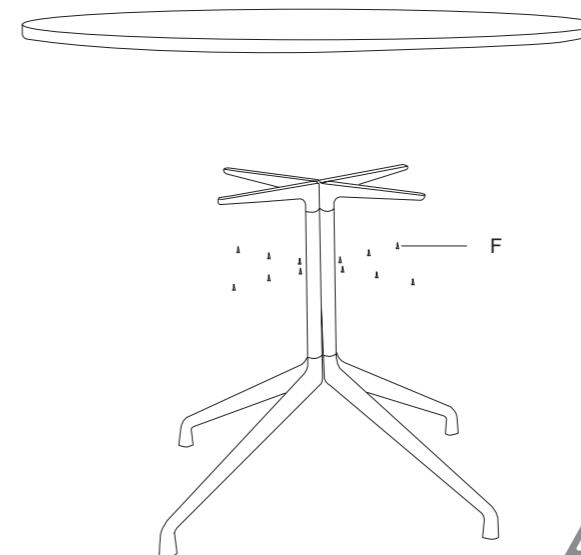
12.

Place the H part over the hole of the C part. Screw the G part in the shown holes of the H part using the Allen key (M). Repeat this step on all 4 x C parts.



13.

Screw the D part to the tabletop using the F parts.



14.





Havnen 1 8700 Horsens Denmark  
+45 4282 0282 / hay@hay.dk

**HAY**

ITEM NO. 706356



5 710441 246565