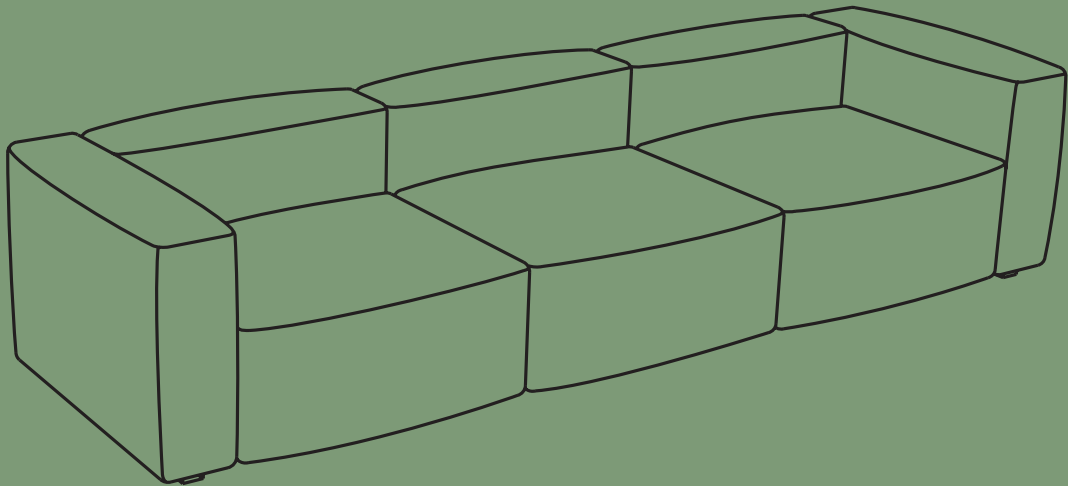


> INSTRUCTION MANUAL <

MAGS SOFT



By HAY

HAY

Rounded edges and soft cushions create a milder, relaxed tone with the Mags Soft Sofa. Optimal comfort and durability are ensured by the sofa's solid construction, which has been built using durable, high-density foam and covered with down padding for extra softness. The low frame has a distinctly lounge feel, reinforced by the deep seats and high armrests, to result in a more open, welcoming space. The wide range of functional modular units mean the sofa can be fully customised with chaise longue, corner modules or additional seats to suit any room or purpose, while the numerous high quality upholstery options allow the sofa to find its own personality.

> CAUTION <

CAUTION

With a little care you can prolong the life of your Mags Soft Sofa and keep the foam and fabric in good condition.

Follow the instructions for the materials of your specific sofa to make sure that it stays in the best shape for as long as possible.

The information below is only intended as a general guideline. For more information on how to remove specific stains, please inquire where you bought the furniture.

- Always remove stains quickly before they can do any permanent damage to the furniture.
- Avoid placing the furniture in direct sunlight or near a strong heat source to reduce changes. HAY only uses top-quality fabrics but all fabrics fade, and seams weaken, when exposed to sunlight or strong heat.
- Dust and dirt wear down the textile and reduce its qualities. Regular cleaning is important in order to keep the upholstery looking its best and to prolong its life.
- The upholstery is fixed and cannot be removed.
- When you move the furniture, make sure to lift it rather than pulling or pushing it to avoid damaging the legs and mountings.

- Avoid improper use such as sitting on the back or armrests or standing on the furniture.

- Be careful not to scratch or damage the surface with sharp objects.

- Smooth out creases and wrinkles with your hand after use to even out the fabric and prevent seam lines from being skewed.

- The stitching is sensitive to wear and tear and is not covered by our warranty.

- To obtain a soft and relaxed appearance, we have used down for the top layer of the sofa. Although the down is placed in sections to prevent it from shifting, it is inevitable and shifting cannot be entirely avoided. If it occurs, beat the sofa to air the down and push it back into place (see step 11).

- The foam inside the sofa modules may become softer in use, and if one module is used more than the others it may feel softer. Please use the guide on the last pages.

> CARE AND MAINTENANCE <

FABRICS

- Vacuum the furniture regularly using the upholstery nozzle to remove dust and avoid fluff and pilling.
- Straighten the fabric with your hands from time to time. Wrinkles in the fabric can be straightened using a steamer.
- Soak up spilled liquids immediately with an absorbent napkin or cloth by dabbing gently towards the centre of the stain.
- Most stains can be removed with lukewarm water on a clean lint-free cloth. If necessary, add a little neutral detergent. Avoid rubbing the material hard as this could result in loss of colour and damage the fabric. It may also be necessary to use a hairdryer to avoid leaving an outline.
- Never use concentrated detergents or bleach, ammonia or soap intended for hard surfaces.

SILK LEATHER

- Silk is an aniline leather, which means that it has no or only a light surface treatment to preserve the leather's natural surface and soft touch.
- Vacuum regularly using the upholstery nozzle. Be careful not to scratch the leather.
- All natural markings, such as scars and insect bites, will be visible on aniline leather, which contributes to the leather's exclusive appearance.
- This kind of leather is very susceptible to dirt, and over time it will patinate and become slightly darker.
- Aniline leather is demanding to maintain, and we recommend that you keep a cleaner and care product suitable for this type of leather at hand.
- Using water may leave a permanent stain on the surface.
- Do not use sharp objects, strong detergents or solvents on the leather.

> CARE AND MAINTENANCE <

CALIFORNIA LEATHER

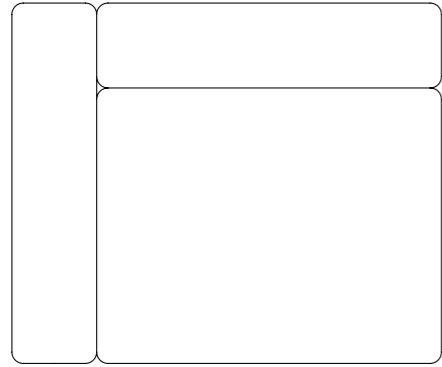
- California is a full grain semi aniline leather with a light top finish.
- Vacuum regularly using the upholstery nozzle. Be careful not to scratch the leather.
- All natural markings, such as scars and insect bites, will be visible on the leather.
- To remove stains use a clean, lint-free cloth to apply the lather from a solution of water and a neutral detergent or soap flakes or use a special leather care product. Remove soap residue immediately using a clean, dry cloth, and polish gently, using a soft cotton cloth. Avoid pressing liquid into the pores of the leather.
- Apply a protective lotion two to four times annually to enhance the resistance of the material.
- Do not use sharp objects, strong detergents or solvents on the leather.

SIERRA LEATHER

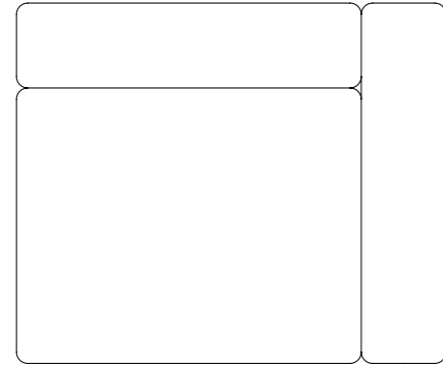
- Sierra is a pigmented leather with excellent durability.
- Vacuum regularly using the upholstery nozzle. Be careful not to scratch the leather.
- To remove stains use a clean, lint-free cloth to apply the lather from a solution of water and a mild detergent or soap flakes or use a special leather care product. Remove soap residue immediately using a clean, dry cloth, and polish gently, using a soft cotton cloth. Avoid pressing liquid into the pores of the leather.
- Apply a protective lotion two to four times annually to enhance the resistance of the material.
- Do not use sharp objects, strong detergents or solvents on the leather.

> PARTS <

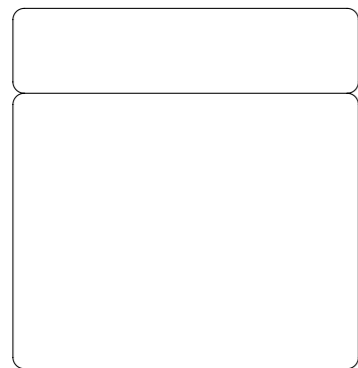
Modules may vary from the ones shown in the instruction.



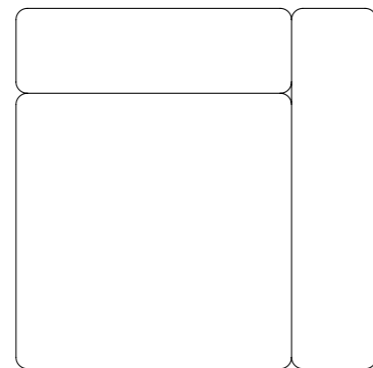
Left armrest (A) x 1



Right armrest (B) x 1



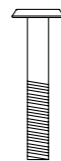
Middle (C) x 2



Right corner (D) x 1



E



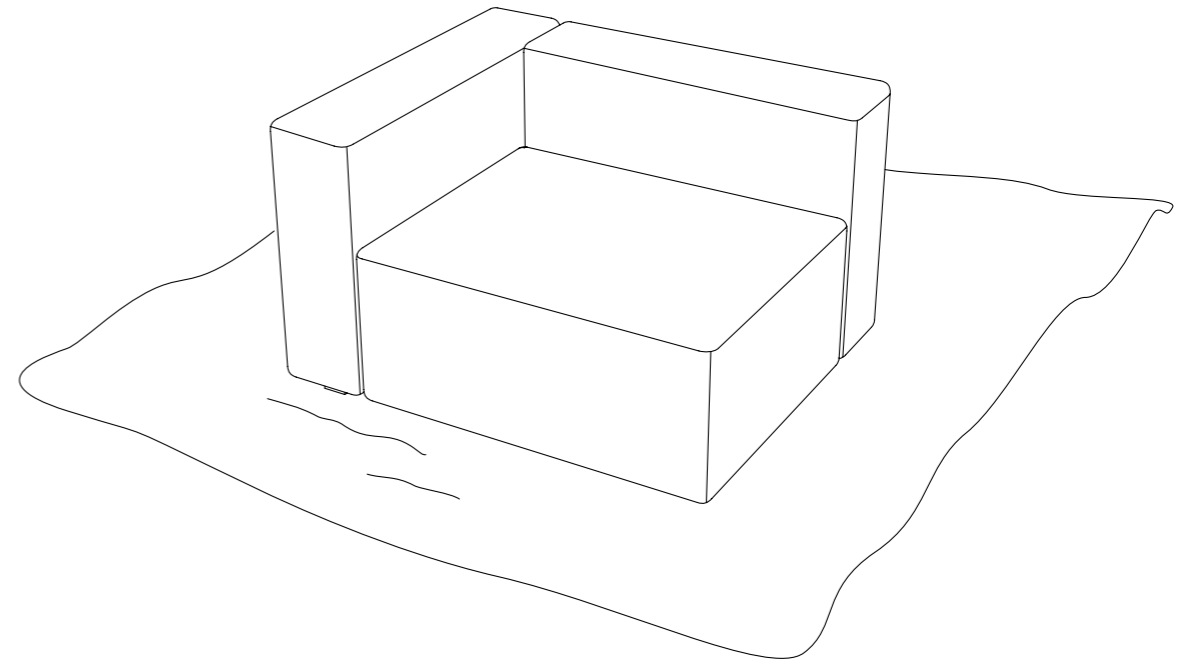
F



Allen key

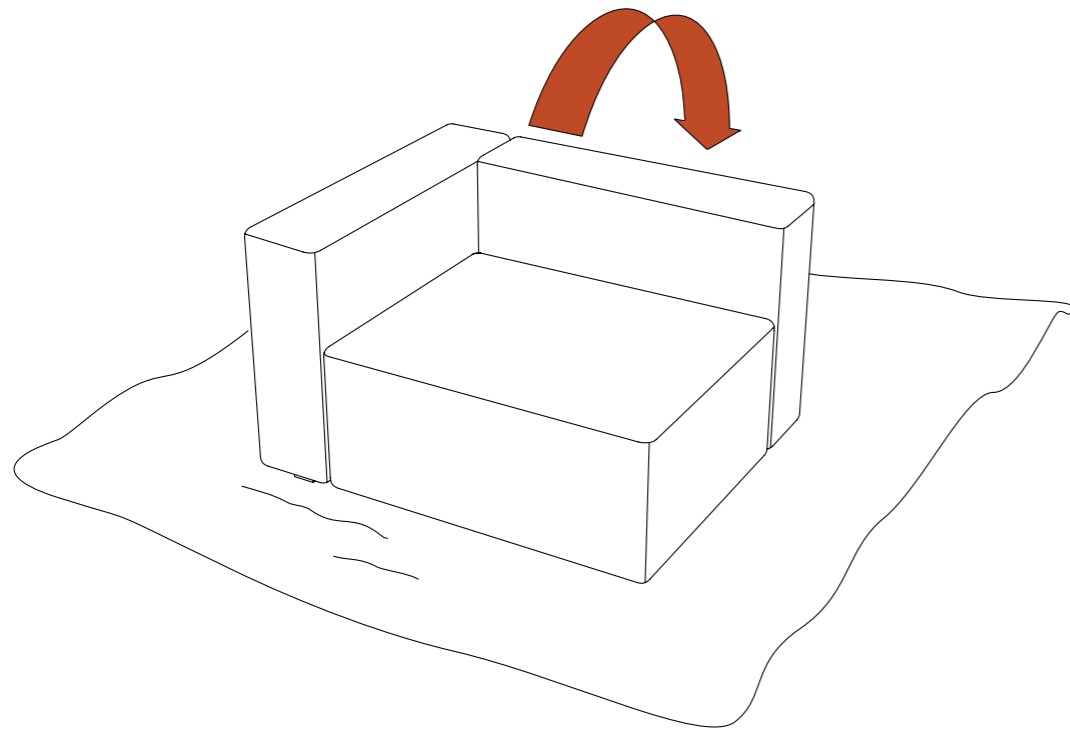
1.

While assembling keep the sofa on top of the plastic to protect the fabric from scratches, etc.



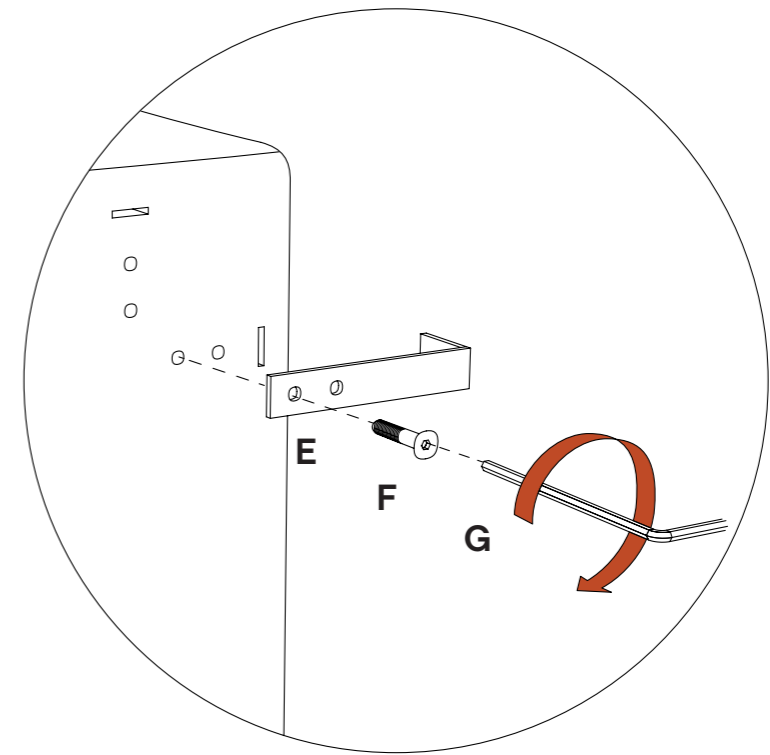
2.

Flip the left armerest (A) (2 persons recommended).

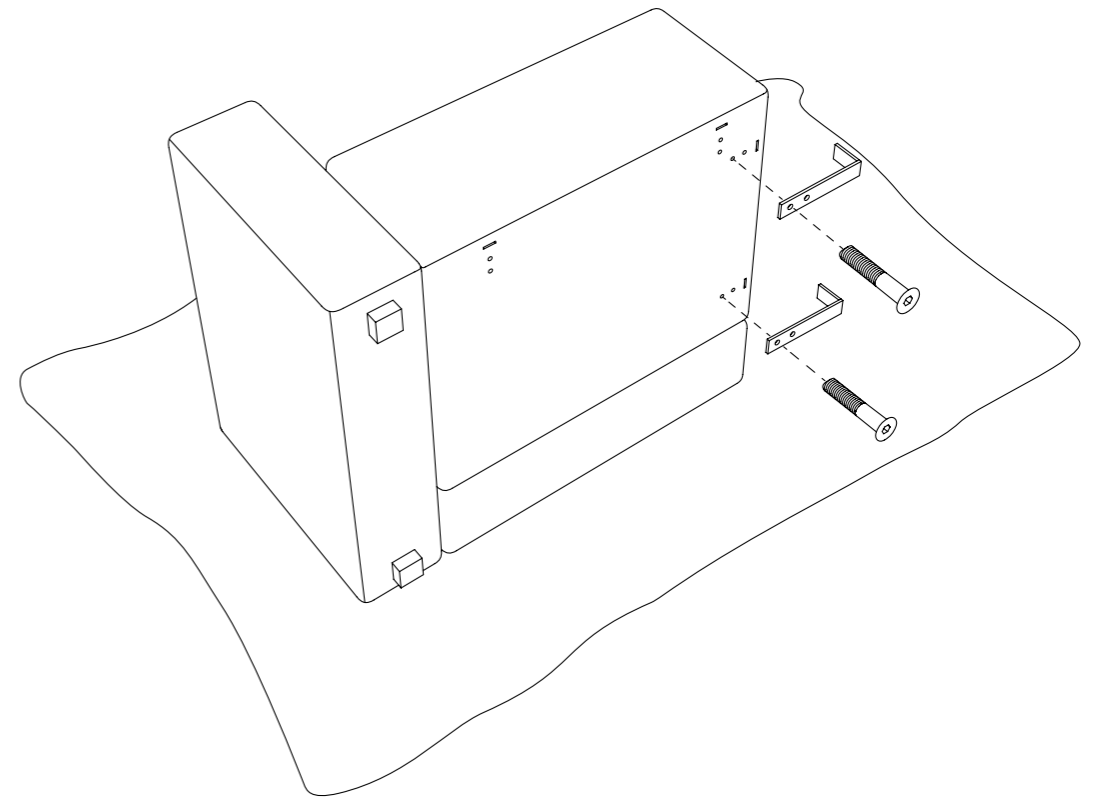
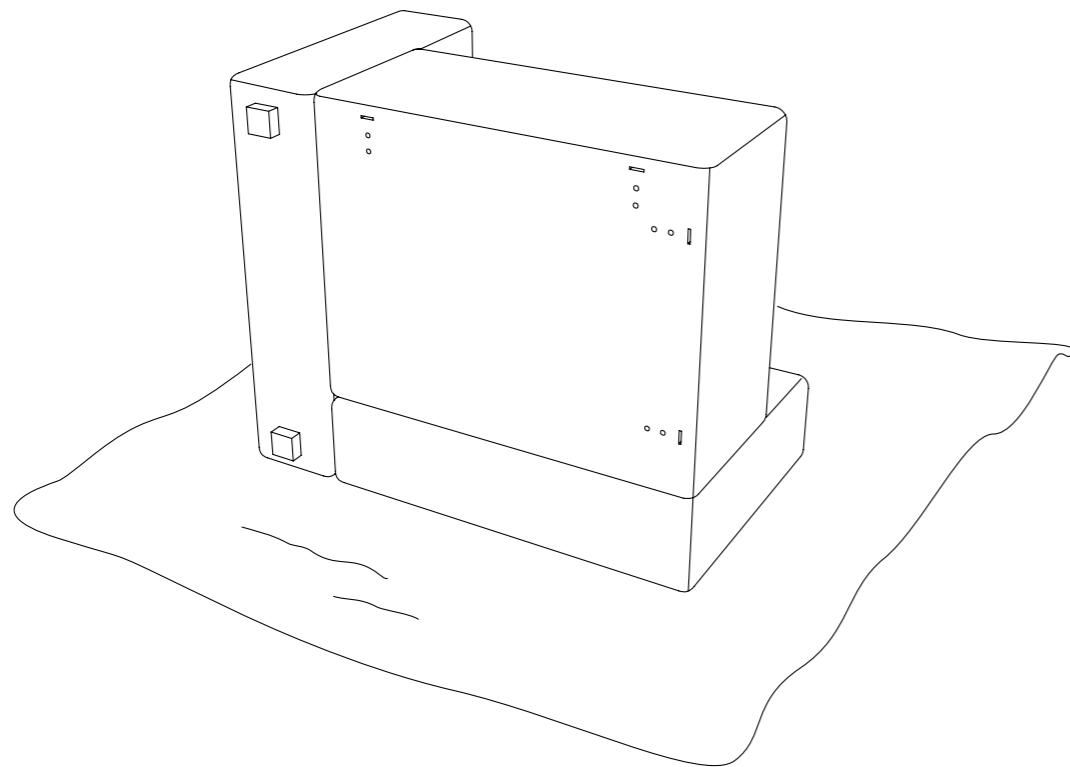


4.

Align part E with the holes on part A.
Place part F in the holes. Use the allen key (G) to tighten F parts completely.

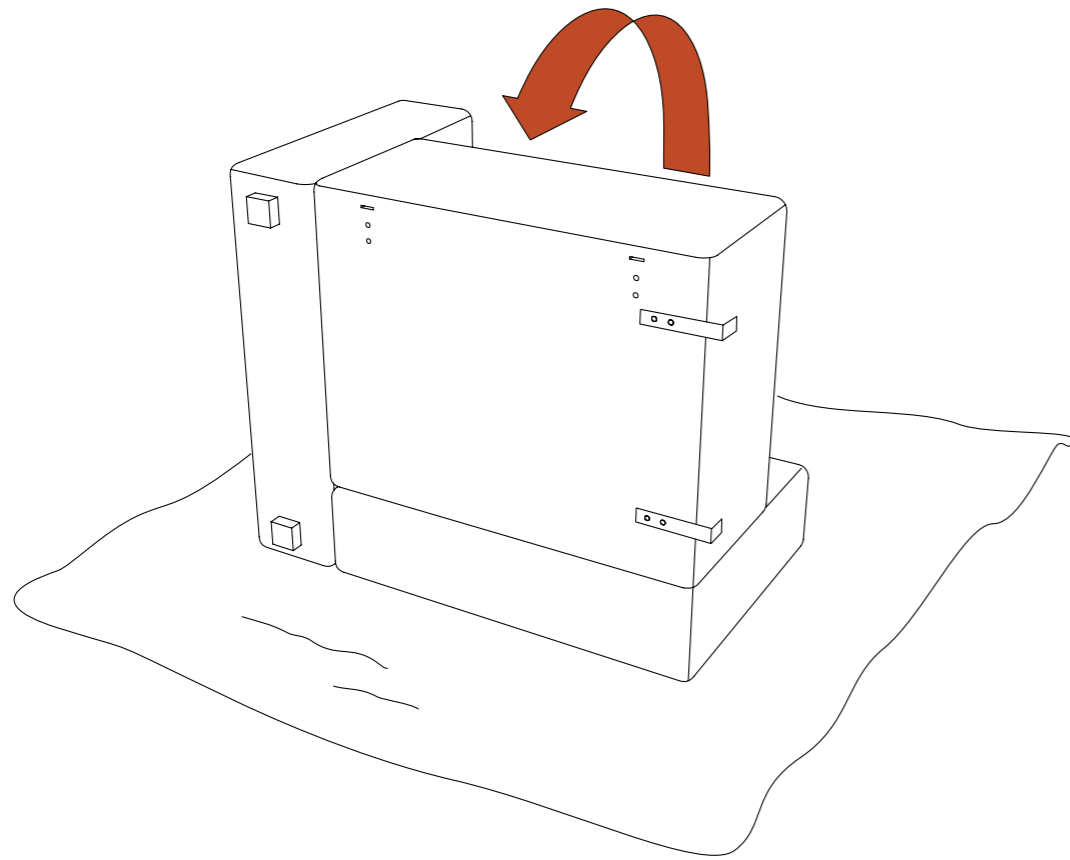


3.

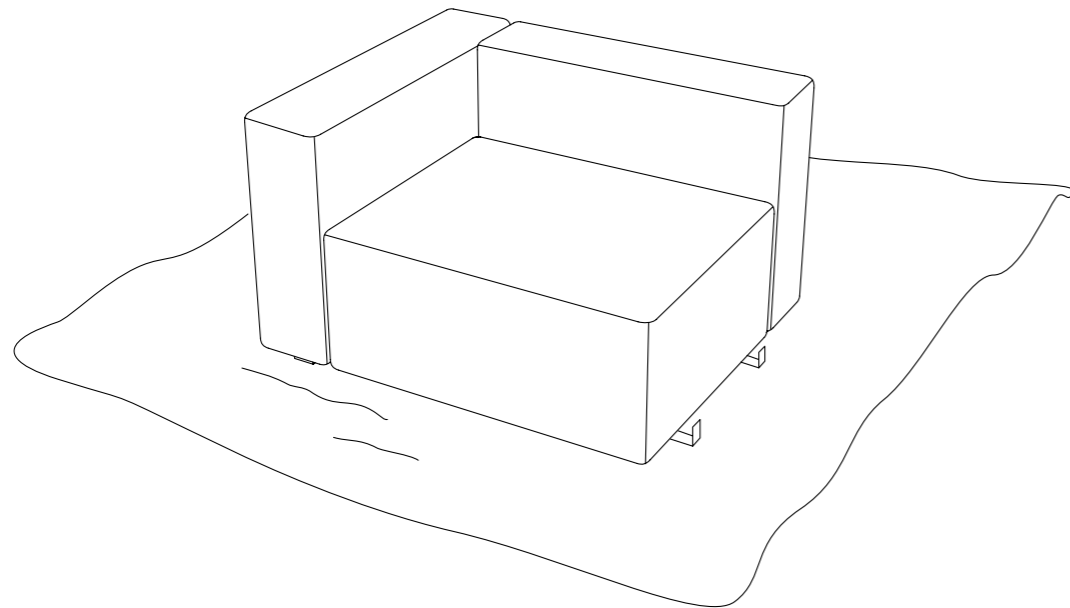


5.

Flip the left armrest (A) (2 persons recommended).



6.



7.

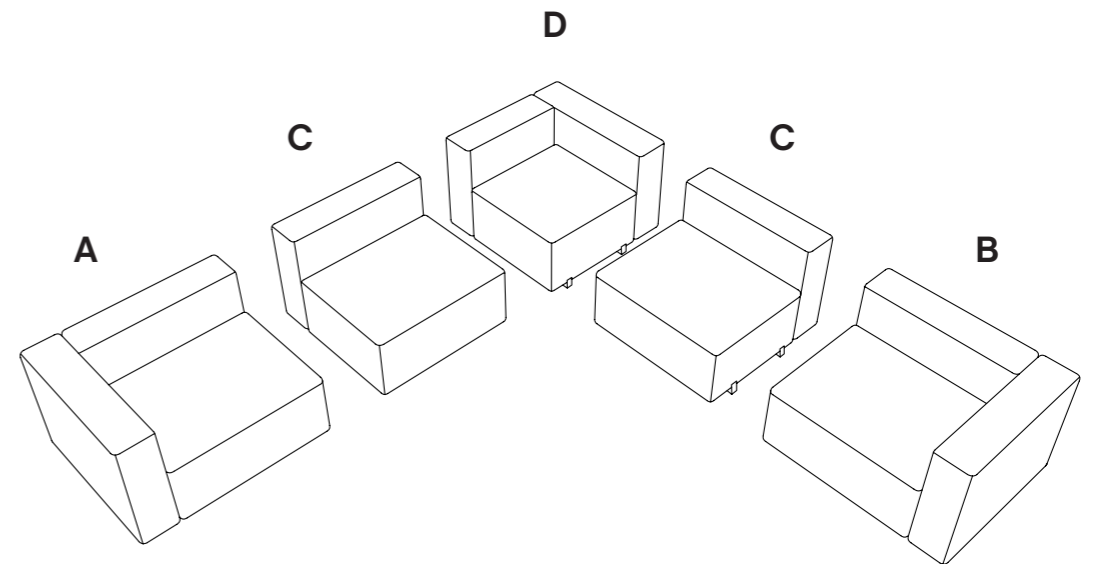
Repeat step 1, 2, 3, 4, 5 and 6 to part C and D.



Make sure to mount part E onto the correct side of part C and D.

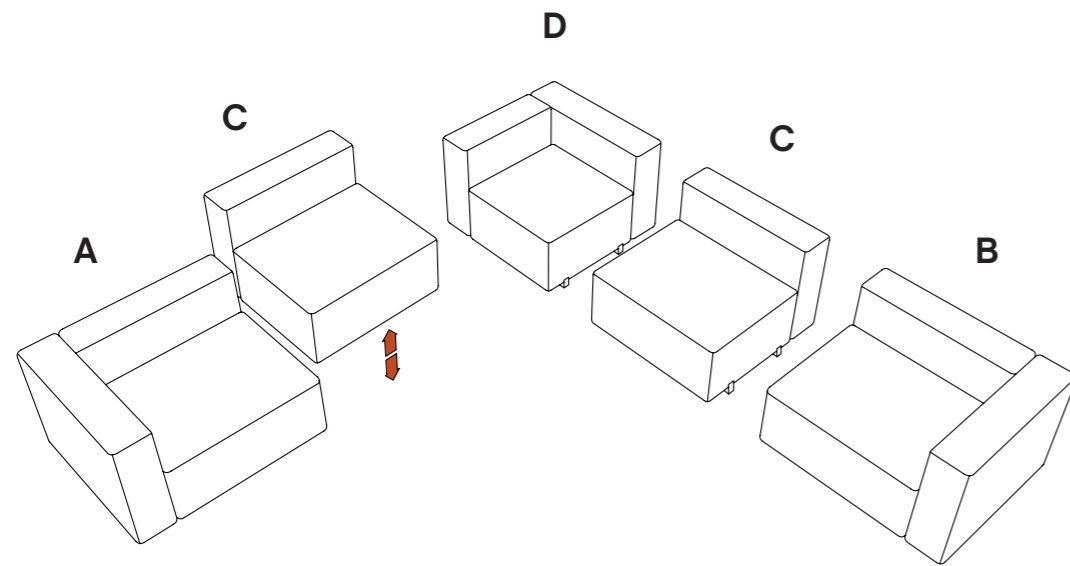
8.

Place all parts as the sofa has to be connected (2 persons recommended).



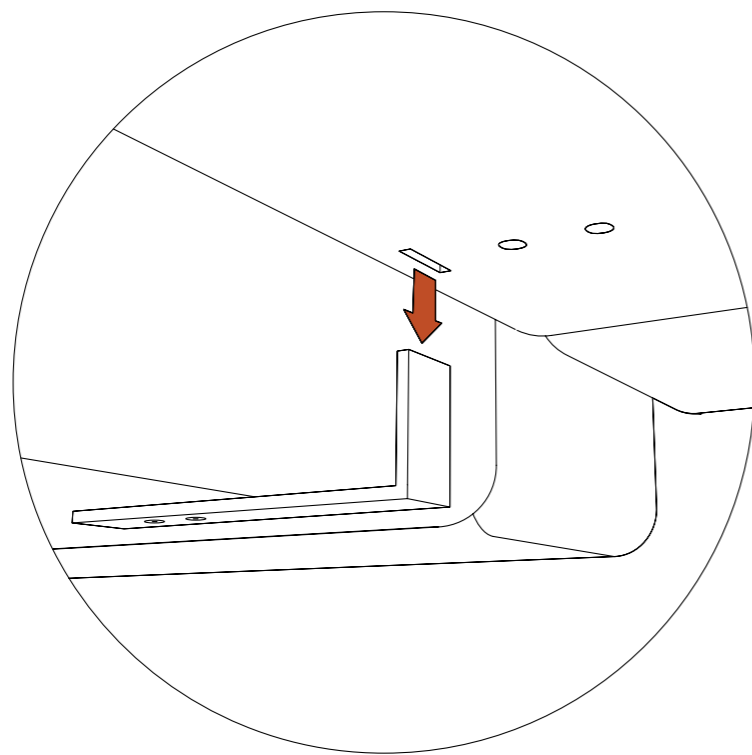
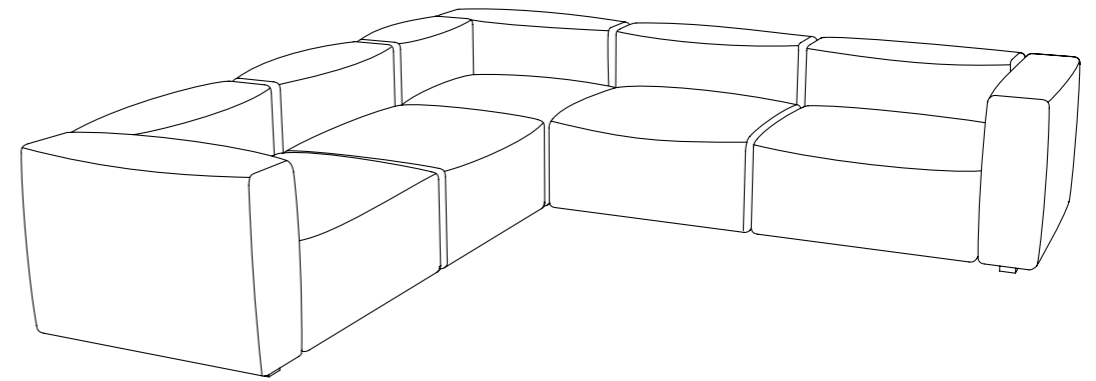
9.

Lift part C onto part E mounted on part A (2 persons recommended).



10.

Repeat step 9 to part D, C and B until the sofa is completed (2 persons recommended).

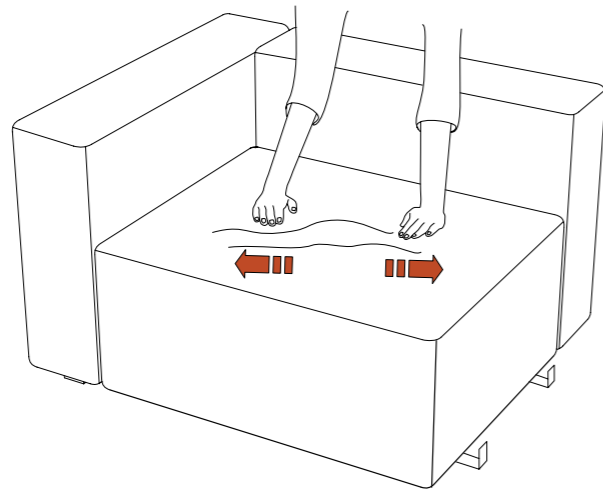


> GENERAL MAINTENANCE <

We recommend that you follow step 11-14 regularly to keep the upholstery looking its best and to prolong its life.

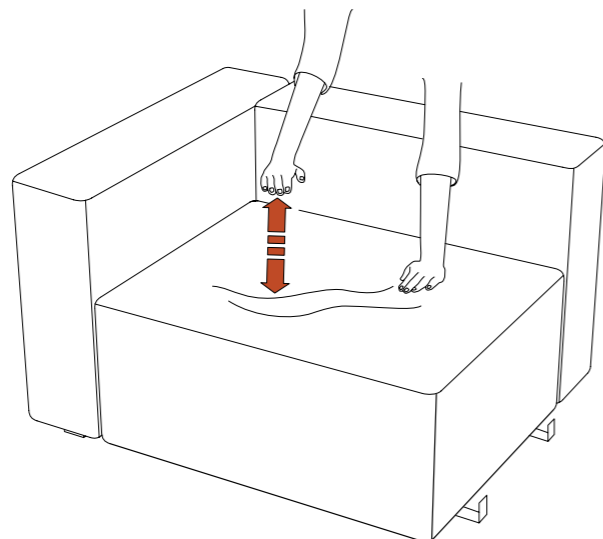
11.

Straighten fabric on all modules.



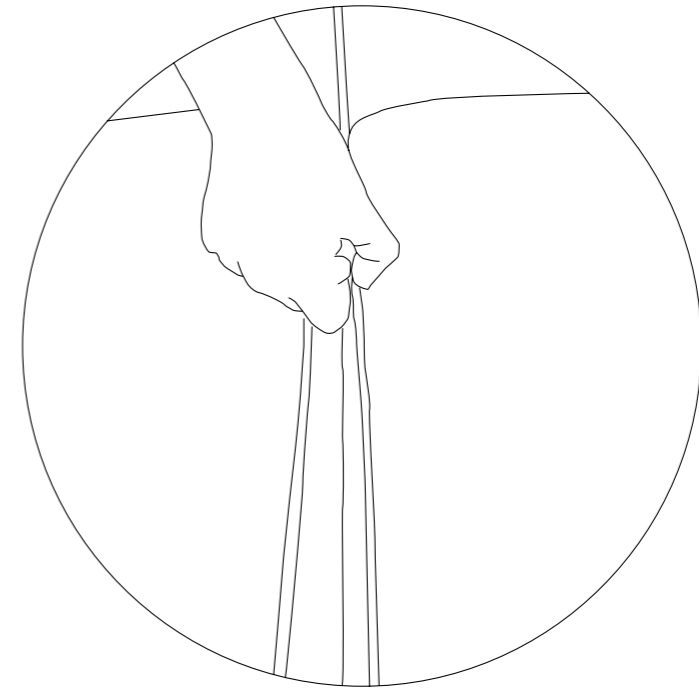
12.

Gently beat the sofa and cushions to air the down and push it back into place.



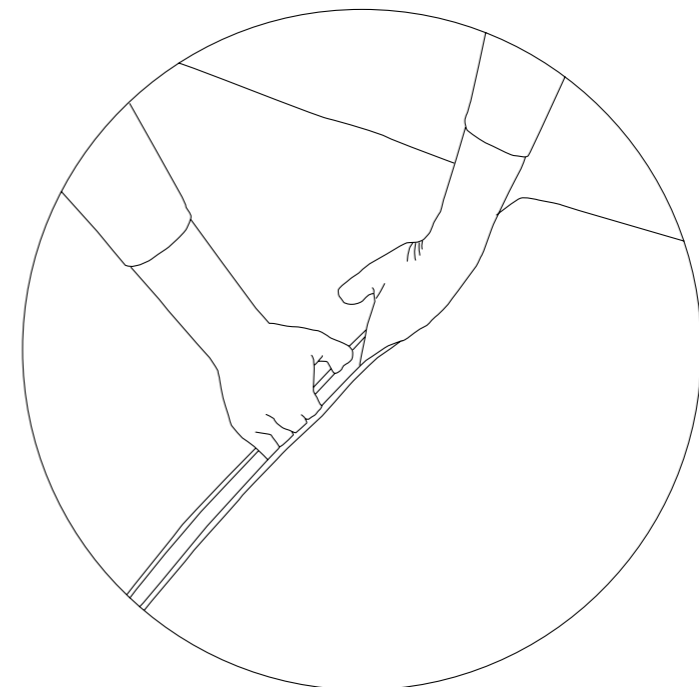
13.

Move seam between each part.



14.

Press fabric down between each module.





Havnen 1 8700 Horsens Denmark
+45 4282 0282 / hay@hay.dk

HAY

08062017

ITEM NO. 706318



5 710441 238218