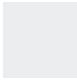




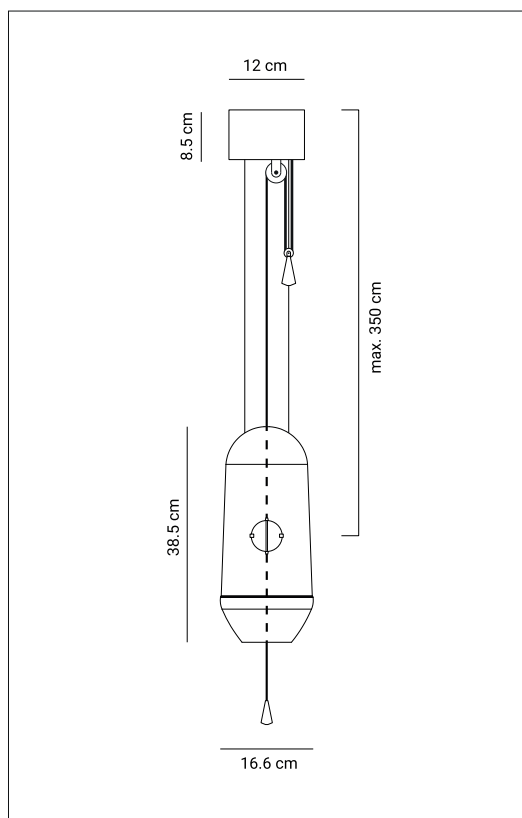
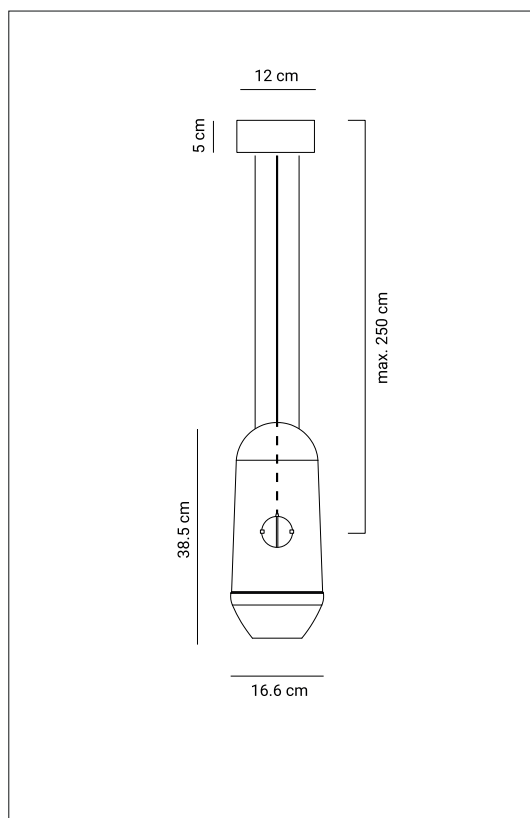


Limpid Light - Small

design Esther Jongsma & Sam van Gorp



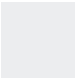



Light source	Led 12 W 2700K 1200 lm CRI 80
Product use	Indoor
Materials	Shade in glass (The glass is mouthblown and therefore can contain airbubbles.) Adjustable suspension in steel and brass Not adjustable suspension in steel
Reference code	Suspension system: adjustable 20LIMPID0000A1 not adjustable 20LIMPID0000A2 Shade: 08LIMPIDBLAST-S
Finish	 transparant  smoke
LED driver	Meanwell PCD-16-350B 200-240 VAC 0.20 A 50/60 Hz 277 VAC 0.15 A 50/60 Hz (North America) Max. 40 W Tronic dimmable   
Package	adjustable 1 Box 415 x 415 x 565 mm Gross weight 3.9 kg Net weight 2.9 kg not adjustable 1 Box 415 x 415 x 565 mm Gross weight 3.0 kg Net weight 2.0 kg

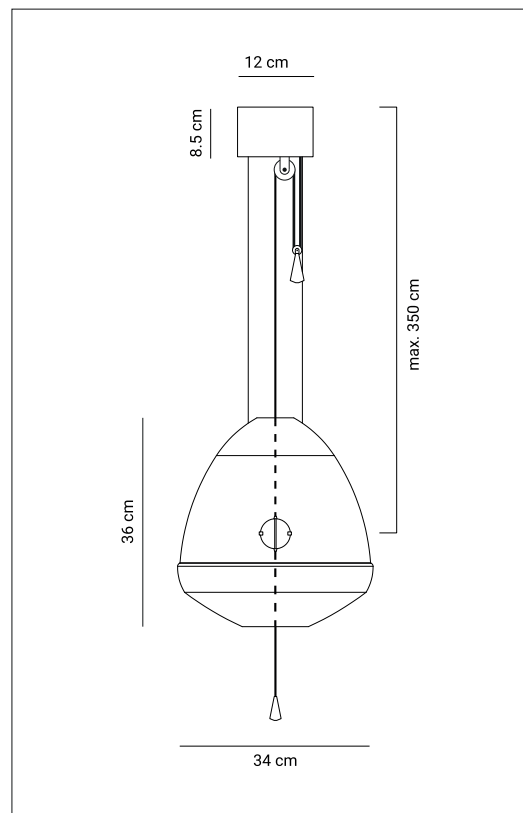
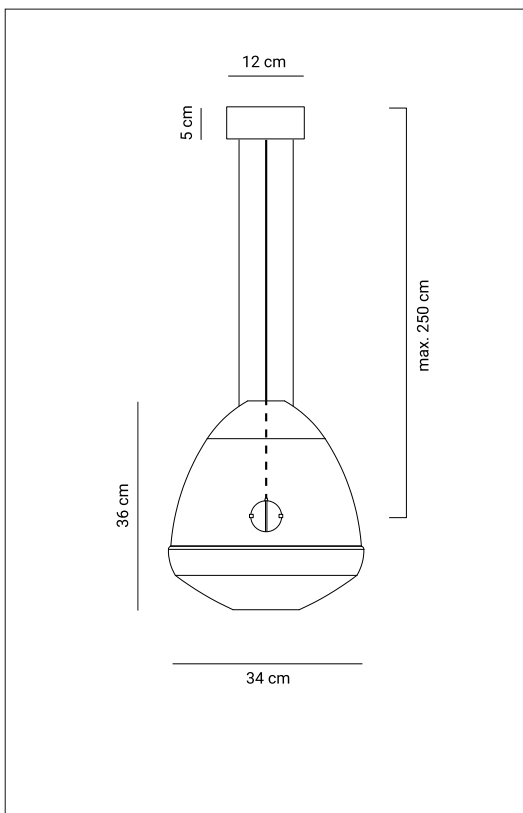


Limpid Light - Medium

design Esther Jongsma & Sam van Gulp


hollandslight

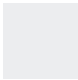



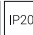
Light source	Led 12 W 2700K 1200 lm CRI 80
Product use	Indoor
Materials	Shade in glass (The glass is mouthblown and therefore can contain airbubbles.) Adjustable suspension in steel and brass Not adjustable suspension in steel
Reference code	Suspension system: adjustable 20LIMPID0000A1 not adjustable 20LIMPID0000A2 Shade: 08LIMPIDBLAST-M
Finish	 transparent  smoke
LED driver	Meanwell PCD-16-350B 200-240 VAC 0.20 A 50/60 Hz 277 VAC 0.15 A 50/60 Hz (North America) Max. 40 W Tronic dimmable  
Package	adjustable 1 Box 415 x 415 x 565 mm Gross weight 5.6 kg Net weight 4.6 kg not adjustable 1 Box 415 x 415 x 565 mm Gross weight 4.7 kg Net weight 3.7 kg



Limpid Light - Large

design Esther Jongsma & Sam van Gulp


hollandslight

Light source	Led 12 W 2700K 1200 lm CRI 80
Product use	Indoor
Materials	Shade in glass (The glass is mouthblown and therefore can contain airbubbles.) Adjustable suspension in steel and brass Not adjustable suspension in steel
Reference code	Suspension system: adjustable 20LIMPID0000A1 not adjustable 20LIMPID0000A2 Shade: 08LIMPIDBLAST-L
Finish	 transparent  smoke
LED driver	Meanwell PCD-16-350B 200-240 VAC 0.20 A 50/60 Hz 277 VAC 0.15 A 50/60 Hz (North America) Max. 40 W Tronic dimmable   
Package	adjustable 1 Box 415 x 290 x 785 mm Gross weight 6.5 kg Net weight 5.5 kg not adjustable 1 Box 415 x 290 x 785 mm Gross weight 5.6 kg Net weight 4.6 kg

