

---

## MOLO

### OUTDOOR LOUNGE

---

A sunbed with soft rounded bamboo lamellas and a leg-construction in powder coated black steel.

The back of the MOLO Sunbed is adjustable with five different positions, which makes it possible to either lay down or sit – it is versatile and can be used as a daybed too.

MOLO Wheel set is an optional addition to MOLO, providing the convenience to move the sunbed around with ease.

Designed by Henrik Pedersen



2 year  
warranty



uv  
protected



weather  
resistant



**MOLO**LOUNGE  
SPECIFICATIONS

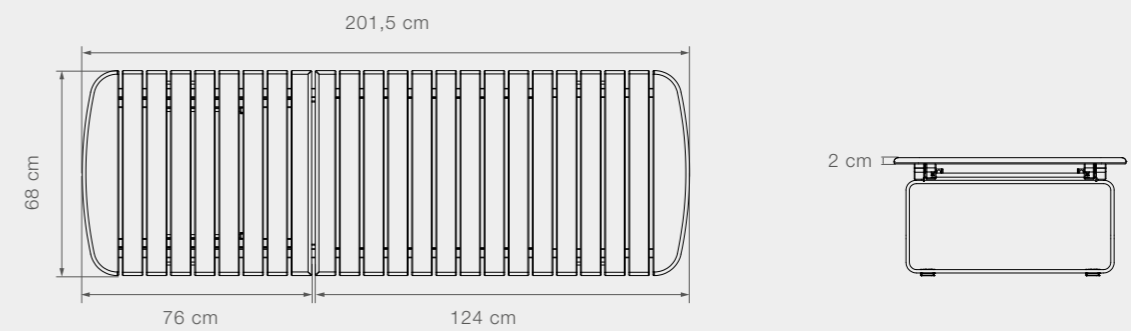
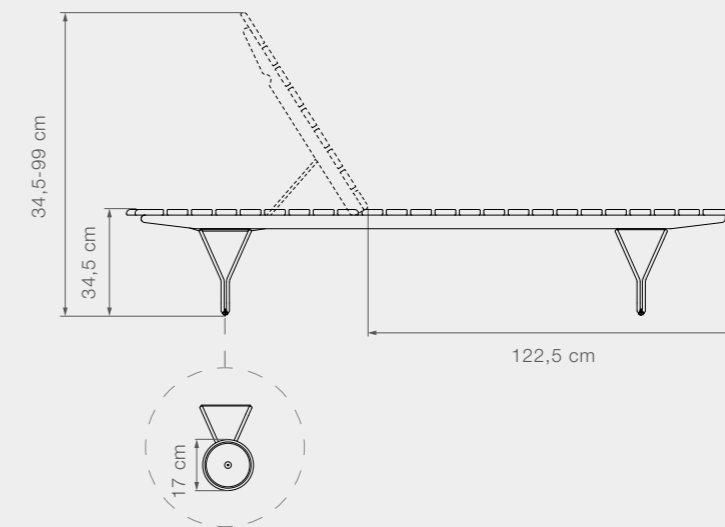
Sunbed with bamboo lamellas and 5 positions  
 Powder coated black steel leg-construction  
 Wheel: Powder coated black aluminum, silicone

Sunbrella Heritage fabric contains 50% recycled Sunbrella acrylic, 47% Sunbrella acrylic and 3% polyester.

Maintenance: Oil / Repair lacquer



13101 MOLO Sunbed + 13131 MOLO Wheel



Product weight	26 kg // 57,3 lbs	Width	68 cm // 26,8 in	Seat depth	122,5-124 cm // 48,2-48,8 in	Slats thickness	2 cm // 0,8 in
Wheel weight	1,1 kg // 2,4 lbs	Length	201,5 cm // 79,3 in	Backrest length	76 cm // 29,9 in	Diameter	203 cm // 79,9 in
Tube size	Ø10 mm // 0,4 in	Height	34,5 cm // 13,6 in	Backrest height	34,5-99 cm // 13,6-39 in	Positions	5
Slats used	24 pcs	Wheel	Ø17 cm // Ø6,7 in				