

SMART LOTIS 115 ADJUSTABLE LED GE

Smart lotis is the best known fixture within the Smart family. The deeply recessed cone which holds the light source inspired the designers to create a very versatile spot to be combined with multiple accessories. This family's styling is based on our most popular designs. Concretely this means that the luminaires consist of a module (LED or halogen) which can be combined with one of three trims to suit your needs. The new spotlights can be combined with Smart mask, Smart surface box or Smart surface tubed to form the perfect solution for any interior. Choose a white, black or gold finishing. Also available in different sizes, fix and adjustable, IP version, ...

Art. Nr. 12781009

SPECIFICATIONS

Lamp	1x LED Array		
Gear / Transfo	LED gear not incl.		
Cut-out size	ø 108 h 100		
Weight	0.431kg		
Min. Distance	0.1		
IP	IP20		
Glow Wire Test	960°		
Source lifetime	50000 hrs		
CRI	90		
Power supply	350mA 17.8Vf	500mA 18.4Vf	700mA 19.3Vf
Connected load	6.2W	9.2W	13.4W
Lumen	554lm	744lm	956lm
Efficacy	89lm/W	81lm/W	71lm/W
UGR	16	17	18
Adjustability	h 355° v 30°		
Remark	! 3500K on request ! can be combined with Smart mask ! can be combined with Smart surface box & surface tubed (surface only)		

	WARM WHITE 2700K / CRI 90+			NEUTRAL WHITE 4000K / CRI 90+			WARM WHITE 3000K / CRI 90+		
	MEDIUM 25°	SPOT 15°	FLOOD 40°	MEDIUM 25°	SPOT 15°	FLOOD 40°	SPOT 15°	MEDIUM 25°	FLOOD 40°
black struc	12781032	12781232	12781332	12781132	12781732	12781832	12781432	12781532	12781632
gold	12781046	12781246	12781346	12781146	12781746	12781846	12781446	12781546	12781646
white struc	12781009	12781209	12781309	12781109	12781709	12781809	12781409	12781509	12781609



This label is available in other languages:
<http://supmodular.com/assets/TYPE2.pdf>



SMART LOTIS 115 ADJUSTABLE LED GE

ACCESSORIES

HUE-DEVICE

70000847	PHILIPS HUE SENSOR
70000614	PHILIPS HUE DIMMER SWITCH
70000615	PHILIPS HUE TAP SWITCH

HUE-BRIDGE

70000616	PHILIPS HUE BRIDGE EU
70000617	PHILIPS HUE BRIDGE UK

HUE-MODULE

13190030	MODULAR CONNECTED 1-10V WHITE COMPONENT
----------	---

SURFACE-TUBED

13140332	SMART SURFACE TUBED 115 LED DALI GI BLACK STRUC
13140324	SMART SURFACE TUBED 115 LED DALI GI BRUSHED ALU
13140309	SMART SURFACE TUBED 115 LED DALI GI WHITE STRUC
13140232	SMART SURFACE TUBED 115 LED 1-10V/PUSHDIM GI BLACK STRUC
13140224	SMART SURFACE TUBED 115 LED 1-10V/PUSHDIM GI BRUSHED ALU
13140209	SMART SURFACE TUBED 115 LED 1-10V/PUSHDIM GI WHITE STRUC
13140132	SMART SURFACE TUBED 115 LED TRE DIM GI BLACK STRUC
13140124	SMART SURFACE TUBED 115 LED TRE DIM GI BRUSHED ALU
13140109	SMART SURFACE TUBED 115 LED TRE DIM GI WHITE STRUC

CONBOX

10889830	CONBOX 190X192X130X256
----------	------------------------

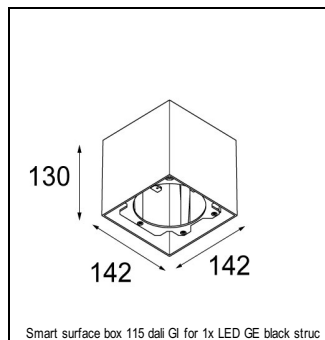
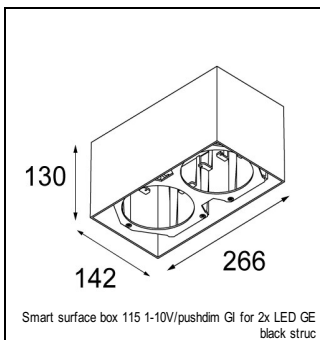
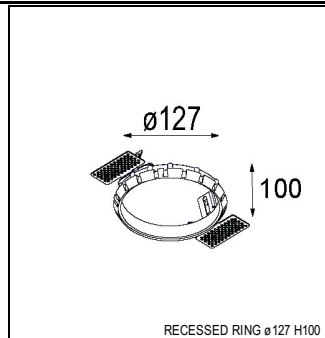
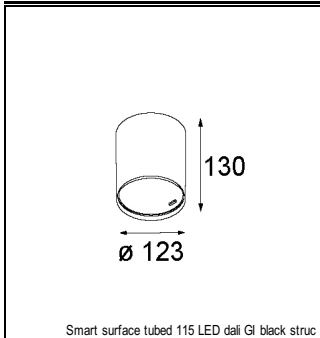
GYPKIT

12290530	GYPKIT 190X190 - Ø108
----------	-----------------------

RECESSED-FRAME

12810230	RECESSED RING Ø127 H100
----------	-------------------------

SURFACE-BOX



ACCESSORIES

SURFACE-BOX

12800032	SMART SURFACE BOX 115 GI FOR 1X LED GE BLACK STRUC
12800009	SMART SURFACE BOX 115 GI FOR 1X LED GE WHITE STRUC

MASK

12810132	SMART MASK 115 2X BLACK STRUC
12810146	SMART MASK 115 2X GOLD
12810109	SMART MASK 115 2X WHITE STRUC
12810032	SMART MASK 115 1X BLACK STRUC
12810046	SMART MASK 115 1X GOLD
12810009	SMART MASK 115 1X WHITE STRUC

