



## Works™ Table frame

The height of the fixed table frame from Works™ is adjustable with 1 cm. The table frame's height is 72.5 cm, including the work desk. It fits to all work desks.

### About the designers – Anna von Schewen and Björn Dahlström

Architect and designer Anna von Schewen is considered one of Sweden's most progressive and experimental designers. She has, together with her companion Björn Dahlström, designed several products for String Furniture. Björn Dahlström is a well-established Swedish designer and industrial designer. He is represented in various museums around the world, including the national Museum for Art, Architecture and Design in Oslo, The Museum of Design & Craft (The Röhsska Museum) in Gothenburg and Victoria & Albert Museum in London.

### Product dimensions

Height including tabletop 71,5-72,5 cm.

Height excluding tabletop 69,5-70,5 cm.

The table frame has a foot that enables +1 cm adjustability.

Desktop options 120x78 cm / 140x78 cm / 160x78 cm / 180x90 cm.

Not available together with extension.

### Package dimensions

W: 77 cm, H: 26 cm, D: 64 cm.

Weight: 25,2 kg.

Transported flat-packed, assembly needed.

### Weight recommendation

60 kg evenly spread across the desktop.

### Materials and colors

Table frame in white powder coated steel.

### Production

Made in Sweden and Latvia.

### Sustainability

The table frame is made from powder coated steel and can be recycled.

### Care and maintenance

Wipe the surface with a cloth. Damp wipe with detergent solution. Then rub dry with a cloth. Remove stains with detergents that do not contain abrasives. Never use steel wool.

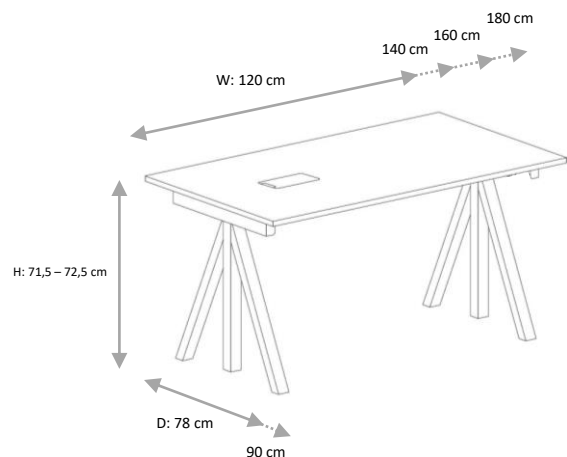


Table frame color

White RAL 9016

# Works™ Table frame

STRING  
FURNITURE

