

Instructions



Blown SW6 by Samuel Wilkinson 2019

Congratulations with your new Blown lamp, designed in 2019 by Samuel Wilkinson. We hope you will enjoy using this product and follow these instructions to ensure correct installation. If you have any questions or comments, please do not hesitate to contact us by mail on:

info@andtradition.com

Blown SW6

By Samuel Wilkinson

2019

Please read these instructions carefully and retain them for future reference to ensure that the product is used correctly. For your own safety, please study each step of this instruction manual first. Tradition is not responsible for any faults or damages caused by not following these instructions correctly. Do not modify this product in any way.

Contents

- A Glass shade
- B Marble base and glass holder

Tools needed

- Bulb type E14

Safety precautions

- Dispose of plastic bag from packaging and do not allow children to play with it.
- Keep product well out of children's reach.
- The lamp is only intended for interior use.
- Consult a professionally qualified electrician if in any doubt.
- Do not place the cable within reach of small children or anywhere there is a risk of falling over it.
- If the external cable or cord of this lamp is damaged, it must be replaced by the manufacture or a similar qualified person in order to avoid a hazard.

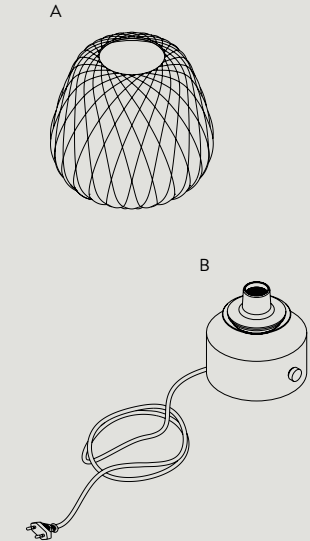
Cleaning instructions

Glass shade

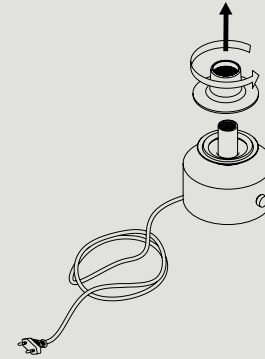
- Wipe surface of the glass shade with a soft, damp sponge or cloth, and wipe immediately after with a dry cloth.
- Do not use any abrasive cleaning tools such as steel wool, scouring sponges or stiff brushes.

Marble base

- The marble base is made from natural marble and will therefore have variations in structure and colour. This should not be considered a defect nor a valid reason for claims.
- For daily cleaning of the marble base it is recommended to use a cleaning agent specifically developed for stone or marble.

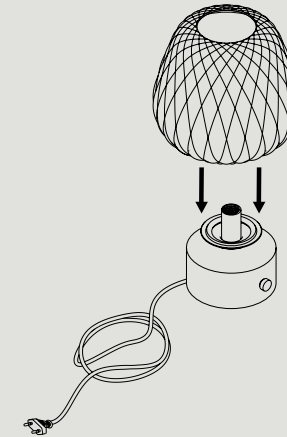


For indoor use only
E14 maximum 40W
Bulb not included



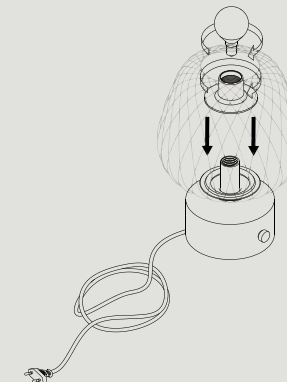
Step 1

The lamp base will be delivered with an attached glass holder. To install the glass shade, untighten the holder and lift it from the base.



Step 2

Carefully lower the glass shade onto the base.



Step 3

Lower the holder into the shade and fasten clockwise. Install the light bulb and insert the plug into a wall socket. The light is now ready to use. The light intensity can be adjusted by rotating the dimmer knob on the lamp base.

&Tradition®