



USER INSTRUCTIONS

LATO LN8 & LN9

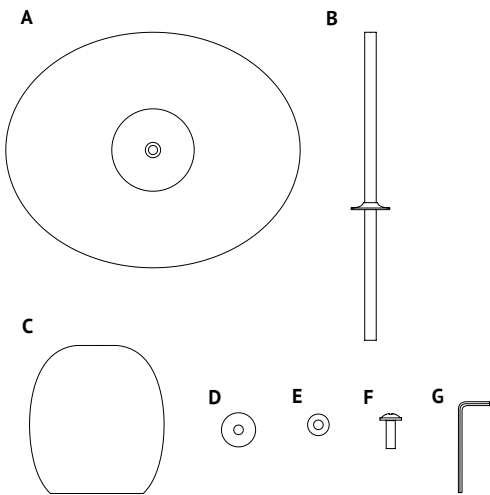
BY **LUCA NICHETTO**
2018

Congratulations with your new Lato table, designed in 2018 by Luca Nichetto. We hope you will enjoy using this product and follow these instructions to ensure correct installation. If you have any questions or comments, please do not hesitate to contact us by mail on:

info@andtradition.com

CONTENTS

- A - Table-top with set screw
- B - Column
- C - Marble base
- D - Washer
- E - Lock-washer
- F - Screw
- G - Allen Key



Please read these instructions carefully and retain them for future reference to ensure that the product is correctly installed if it should be moved or sold. For your own safety, please study each step of this instruction manual before you commence installation. &tradition are not responsible for any faults or damages caused by not following these instructions correctly. Do not modify this product in any way.

SAFETY PRECAUTIONS

- Dispose of any plastic bags and foam from packaging and do not allow children to play with it.
- The table is only intended for interior use.
- Handle table tops with care in order not to scratch surface.

CLEANING INSTRUCTIONS

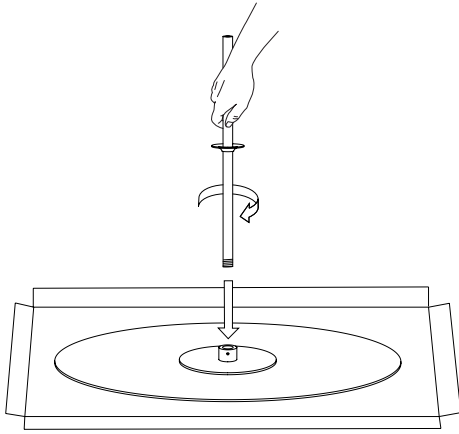
Lato Table is made from powder coated steel and natural marble. Never use aggressive or abrasive cleaning detergents for any parts of the table, as this will cause irreparable damage.

Powder coated steel

Clean powder coated steel frame with a soft cloth wrung in a solution of water and universal cleaning detergent and dry immediately with a soft cloth. Avoid use of abrasive cleaning products such as steel wool or polish.

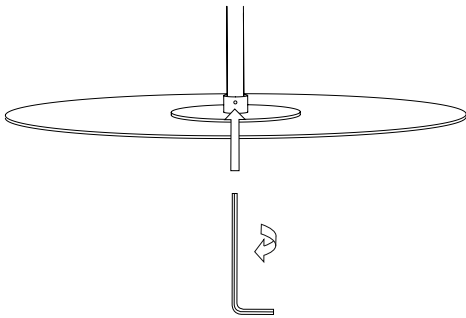
Marble

Wipe surface of marble with soft, damp cloth and dry immediately after with a soft cloth. For more severe cleaning only use a cleaning detergent specifically for natural stone. Follow the instructions on the packaging. Cleaning agents not developed specifically for natural stone may permanently damage the surface of the marble and should never be used.



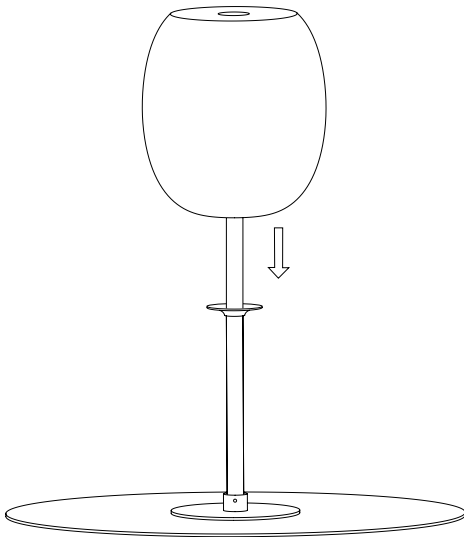
STEP 1

Place table top (A) on a soft, flat surface.
Screw in the metal column (B) on the table top by hand. Fix firmly together.
Take care of the table top during assembly in order to avoid scratches.



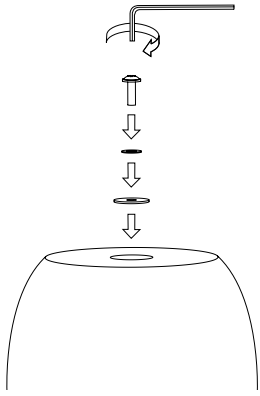
STEP 2

Once the metal column is firmly tightened, use the Allen Key (G) to tighten the set screw on the table top.



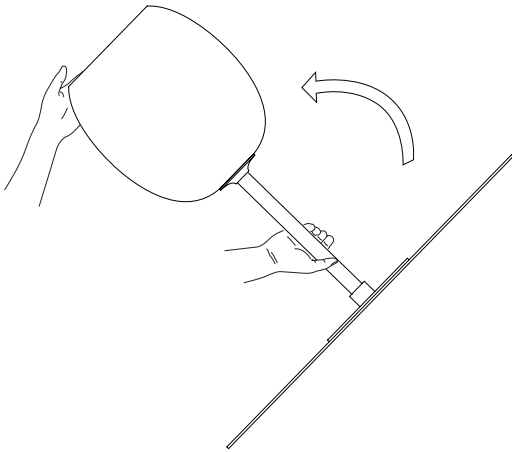
STEP 3

Slide down the marble base (C) carefully onto the metal column.



STEP 4

Once the marble base is placed on the metal column, make sure to place the large washer (D) first and afterwards place the lock-washer (E), before tightening the screw (F) with the Allen Key.



STEP 5

Once the bottom screw is tightened, carefully flip around the assembled table by holding the column - NOT the table top - and at the same time by supporting the marble base.