

# HAZEL BRANCH

Designed by Jacob Rudbeck



Pendant lamp



## DIMENSIONS

H x W x D: 6 x 100.2 x 5.4 cm / 2.4 x 39.4 x 2.1"



## TESTS & CERTIFICATIONS

CE (for indoor use)



## MATERIAL

Steel, aluminium and plastic  
Incl. 3 m / 9'8" textile cord and metal canopies



## WARRANTY

10 years warranty against manufacturer defects



## WEIGHT

1.8 kg / 4.0 lb



## WEIGHT INCL. PACKAGING

3.2 kg / 7.1 lb



## LIGHT SOURCE

24W LED panel built-in

Kelvin step 1: 2700K

Kelvin step 2: 3000K

Kelvin step 3: 4000K

Kelvin step 4: 6000K

Lumen step 1: 1150 lumen

Lumen step 2: 900 lumen

Lumen step 3: 550 lumen

Lumen step 4: 300 lumen

CRI: 93. ≥ 25000 H



## PACKAGING DIMENSIONS (L x W x H)

10.5 x 131.2 x 11.4 cm / 4.1 x 51.7 x 4.5"



## ASSEMBLY TIME

10 min - video guide at [umage.com](https://umage.com)



## MEDIA KIT

Photos and press material

Download at [umage.presscloud.com](https://umage.presscloud.com)



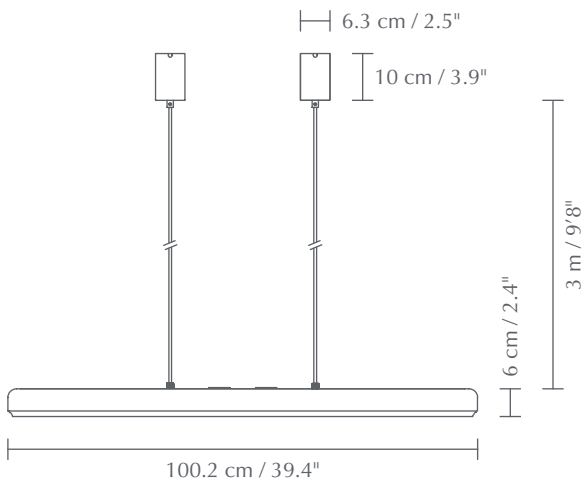
## ORDERING INFORMATION

Hazel Branch black

#2448

Hazel Branch white

#2454



Colour variations



black  
(RAL: 9005)



white  
(RAL: 9003)



# HAZEL BRANCH

Designed by Jacob Rudbeck

