

Break plus

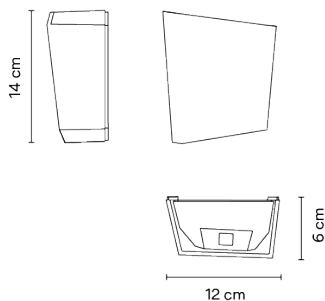
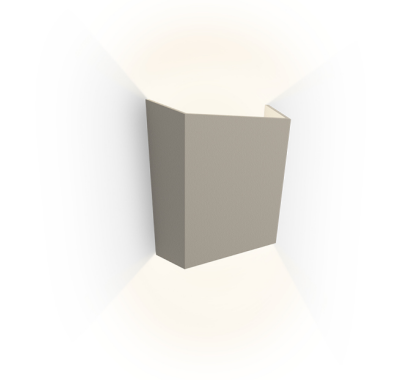
VIBIA

4114

Design By Xuclà

Break Plus is an outdoor wall lamp that resembles a tile or a brick, designed to be integrated in the architecture of all types of space. Its beam of light shines in two directions. The lamp's matt lacquered finish adds a grainy quality that complements its geometric shape.

Model Sheet



Finish	22 Graphite Black NCS S 8000-N
	25 Beige D1 NCS S 4005-Y50R
	95 Primer NCS S 1000-N
	37 Terra Red NCS S 4040-Y70R

LED temperature color 2700 K / 3500 K

Dimming On/ Off

Materials Body: Aluminum
Diffuser: Polycarbonate

Light source 2 x LED 1W 350mA



LED CRI>90 113,73
2700 K / 3500 K

Driver Constant Current 100~240 V V
50~60 Hz HZ



Bi-volt 50-60Hz

Application Outdoor lamps

Packaging 1 Box
0.23 m x 0.19 m x 0.07 m
Gross weight 1
Net weight 0.59
Vol. 0.003

Lighting effect

General Lighting

Reduced-height outdoor lamp to shade light on the ground.

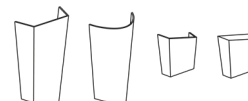


Photometric Data

Go to vibia.com to get the photometric data for the different LED color temperatures.

Efficiency	29.69 lm/W
Coordinate System	CG
Total Flux	85.57 lm
Maximum Value	19.23 cd

Other Applications



All of our products come with a five-year warranty. Check our legal terms at www.vibia.com/warranty

Vibia Lighting, S.L.U.

Office / Oficina
Progrés 4-6. 08850 Gavà. Barcelona, Spain.

International T +34 934 796 971
Spain / Portugal T +34 934 796 970

customer.service@vibia.com
vibia.com