

Akari Light Sculptures

3A, 3AD, 7A, 9A, 9AD, 20N, 26N, UF1-H, UF2-33N, YA2

Distributed by Vitra
Design: Isamu Noguchi



Assembly instructions
Montageanleitung
Notice de montage
Instrucciones de montaje
Montagehandleiding
Istruzioni per il montaggio

vitra.

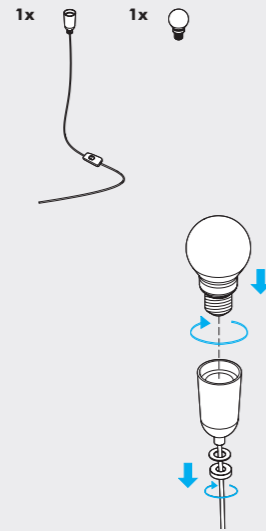


Vitra Factory GmbH
Charles-Eames-Strasse 2
79576 Weil am Rhein
Germany

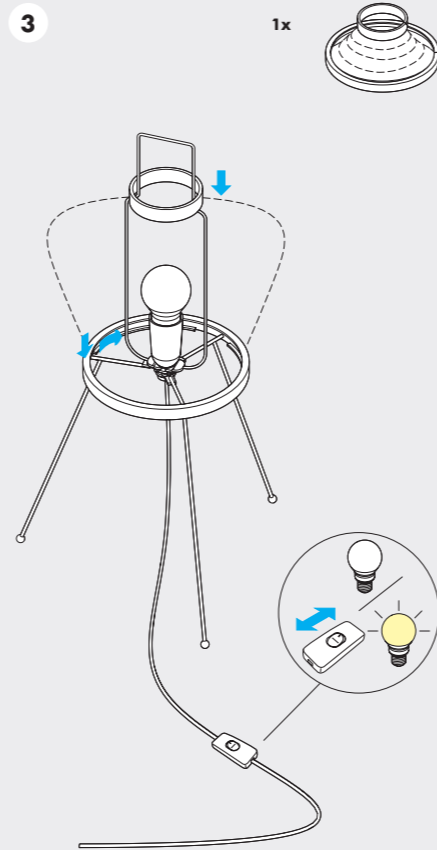
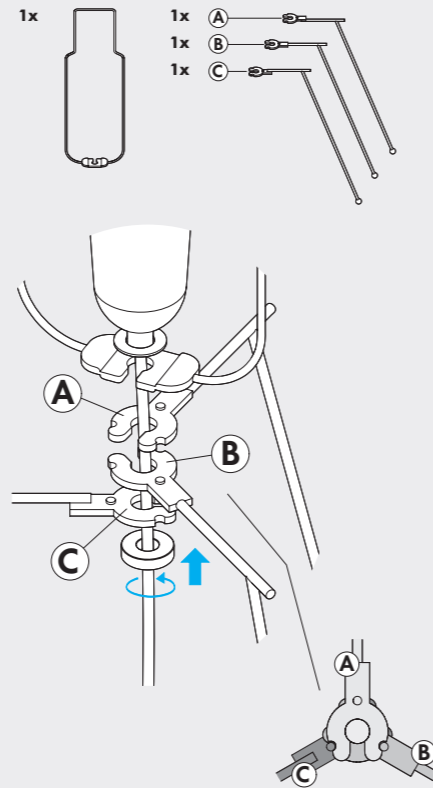
www.vitra.com/akari

2019-B, Art.-Nr. 62913368

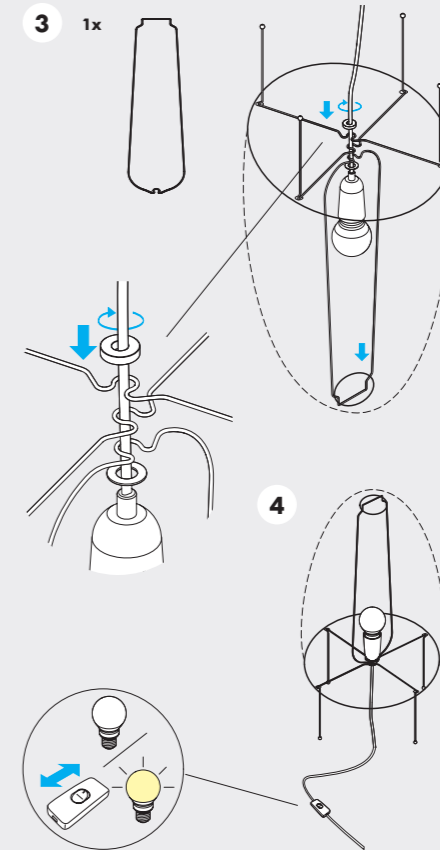
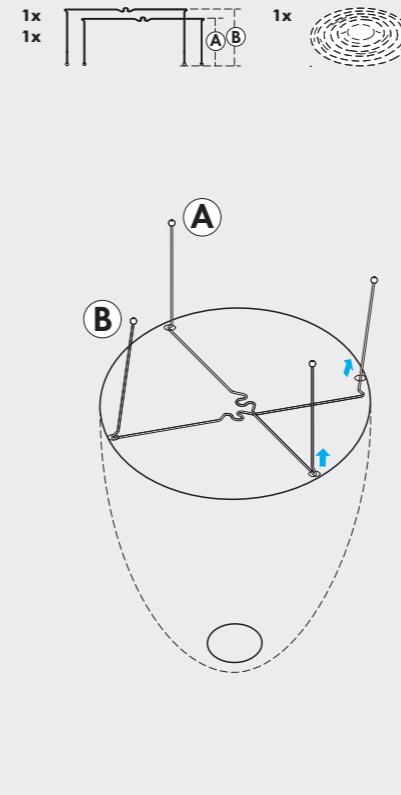
1 Akari Light Sculptures 3A, 3AD, 7A, 9A, 9AD, 20N, 26N, UF1-H, UF2-33N, YA2



2 Akari Light Sculptures 3A, 3AD, 7A, 9A, 9AD



2 Akari Light Sculptures 20N



2 Akari Light Sculptures 26N, YA2

