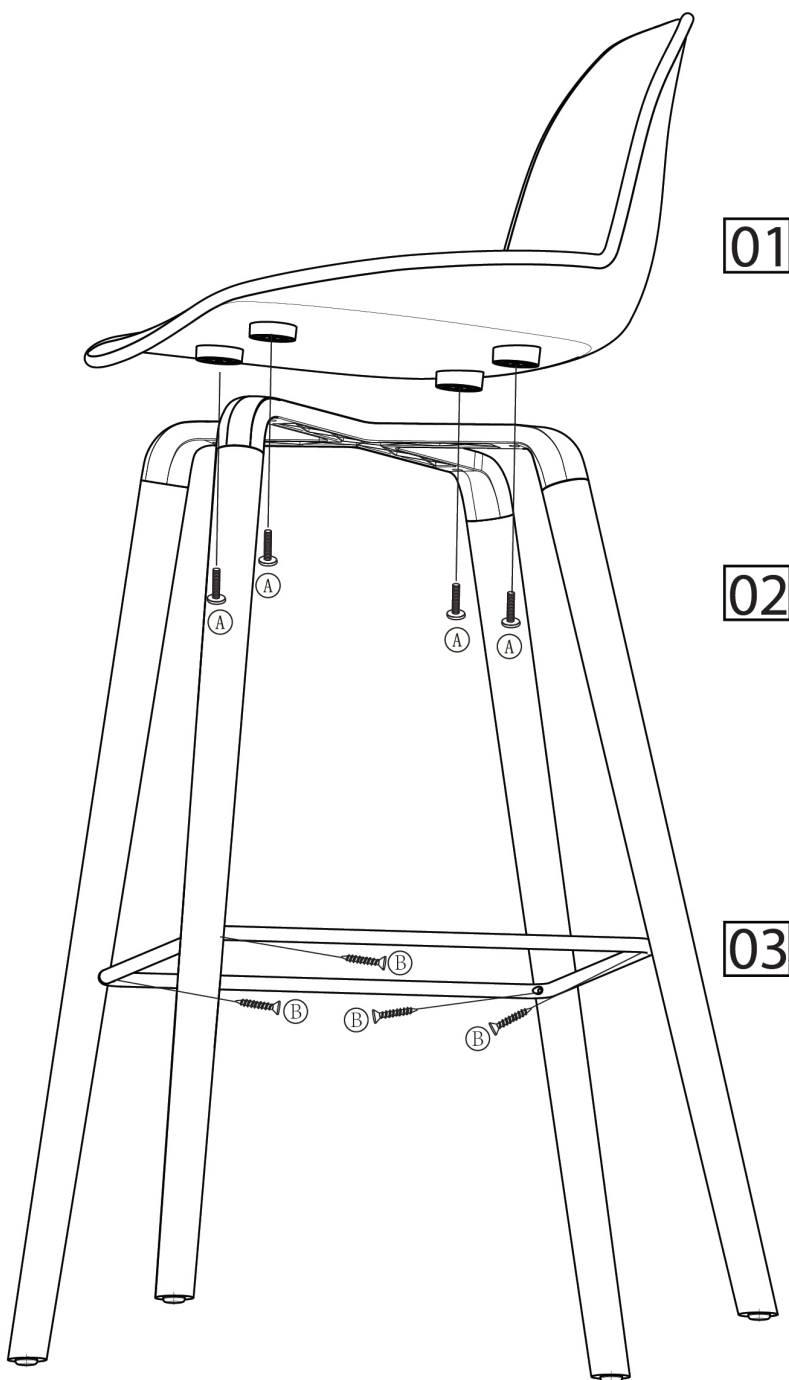


Assembly Instruction

ZUIVER^o

COMPONENT PARTS

FITTINGS



Ⓐ  X4

Ⓑ  X4

COMPONENT CHECKLIST

PART	No.	Qty.	
Seat	01	1	<input type="checkbox"/>
Chair Foot	02	1	<input type="checkbox"/>
Pedal	03	1	<input type="checkbox"/>

TOOLS REQUIRED



Allen key (supplied)